

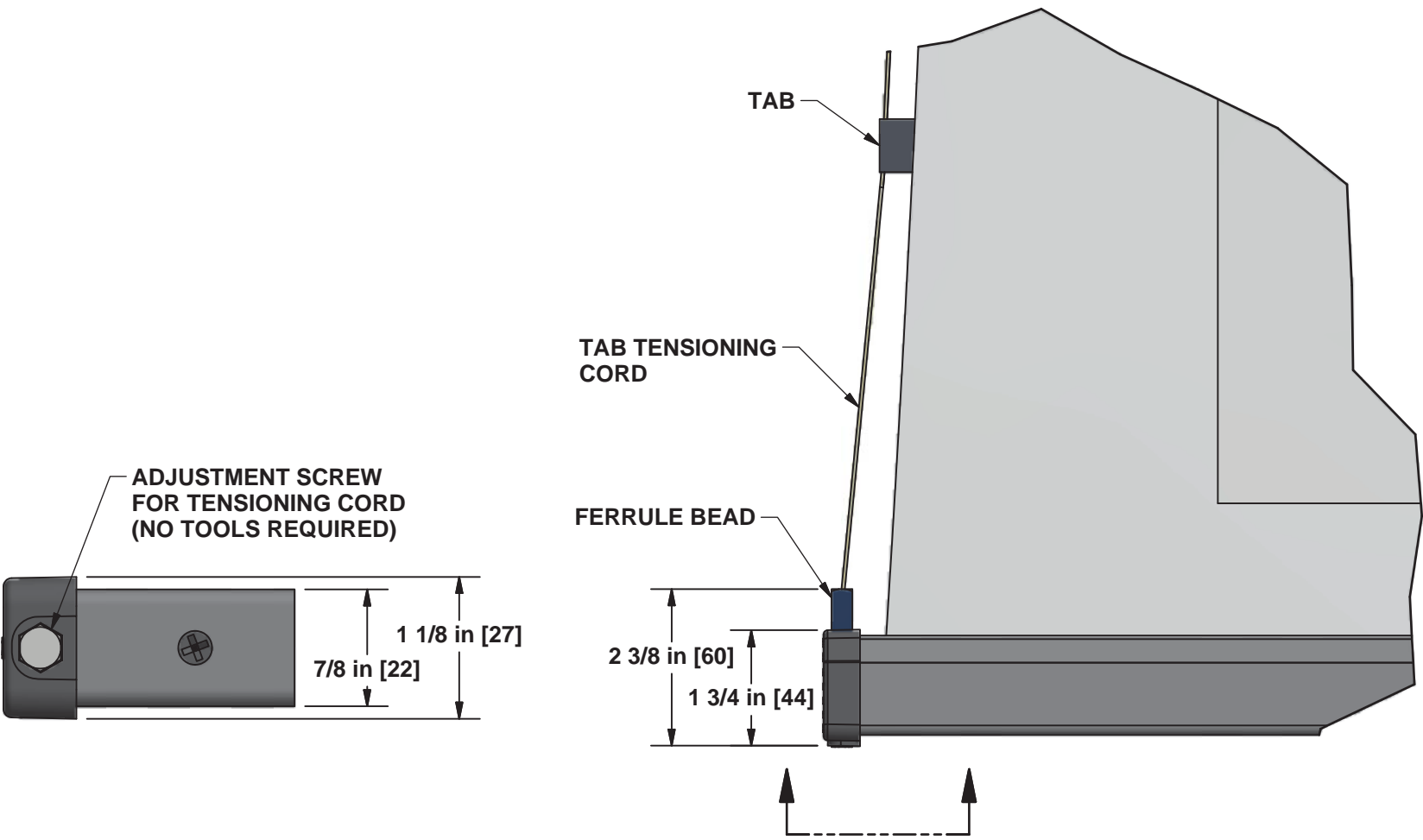
SIDE VIEW

FRONT VIEW/VIEWING SIDE

NOTE: DARK COLORS HAVE BEEN LIGHTENED FOR CLARITY PURPOSES

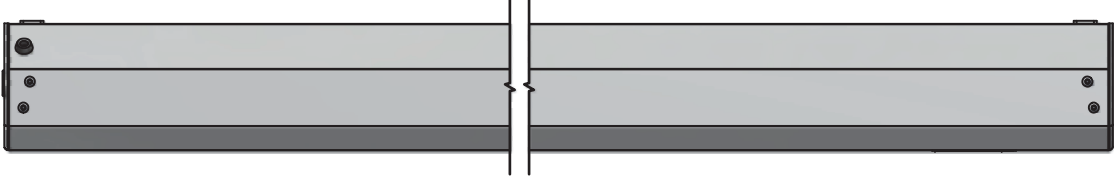
RESTRICTION: The information contained in the proposal is confidential and proprietary to Stewart Filmscreen Corporation, shall not be disclosed beyond the vendor company, and shall not be duplicated, used, or disclosed in whole or in part for any purpose except to evaluate this proposal.

DIMENSIONS ARE Inches [mm]		DRAWN BY:		Stewart FILMSCREEN 1161 W. Sepulveda Blvd., Torrance, CA 90502 Customer Care (800) 762-4999 Fax (310) 326-6870	
TOLERANCES: +/- 1/8 in (UNLESS OTHERWISE SPECIFIED)		Engineering			
APPROXIMATE SCREEN WEIGHT:		DRAWING TYPE:		TITLE MODEL "A" (LX)	
50 lbs		Typical			
APPROXIMATE SHIPPING WEIGHT:		CREATION DATE:			
72 lbs		11/23/2015			
MODEL #:					
LX100HST13G3B-12-2-5					
CASE COLOR:		SIZE	SHEET	DRAWING NO.	REV.
Black		A	1 OF 6	00101	

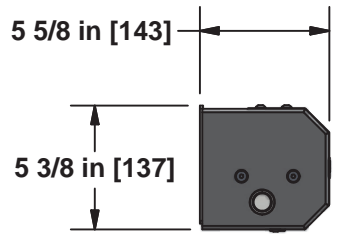


DIMENSIONS ARE Inches [mm]		DRAWN BY:		Stewart FILMSCREEN 1161 W. Sepulveda Blvd., Torrance, CA 90502 Customer Care (800) 762-4999 Fax (310) 326-6870	
TOLERANCES: +/- 1/8 in (UNLESS OTHERWISE SPECIFIED)		Engineering			
APPROXIMATE SCREEN WEIGHT:		DRAWING TYPE:		TITLE MODEL "A" (LX)	
50 lbs		Typical			
APPROXIMATE SHIPPING WEIGHT:		CREATION DATE:			
72 lbs		11/23/2015			
MODEL #:					
LX100HST13G3B-12-2-5					
CASE COLOR:		SIZE	SHEET	DRAWING NO.	REV.
Black		A	2 OF 6	00101	

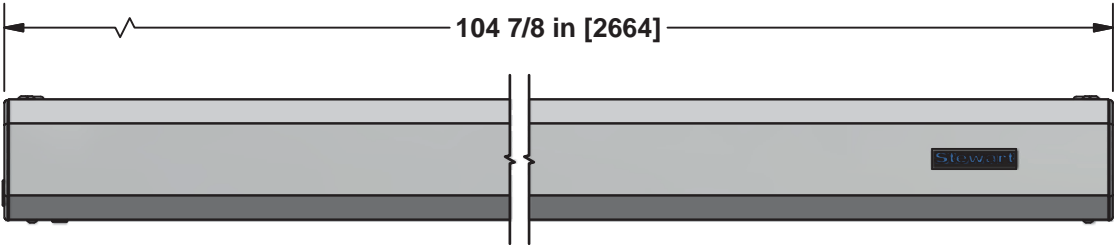
RESTRICTION: The information contained in the proposal is confidential and proprietary to Stewart Filmscreen Corporation, shall not be disclosed beyond the vendor company, and shall not be duplicated, used, or disclosed inwhole or in part for any purpose except to evaluate this proposal.



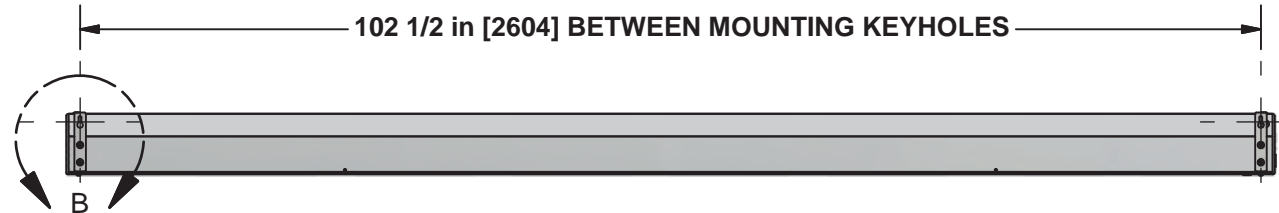
TOP VIEW



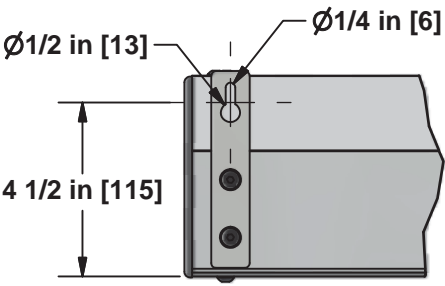
SIDE VIEW



FRONT VIEW ENCLOSURE ONLY



BACK VIEW WALL MOUNT ENCLOSURE ONLY



DETAIL B

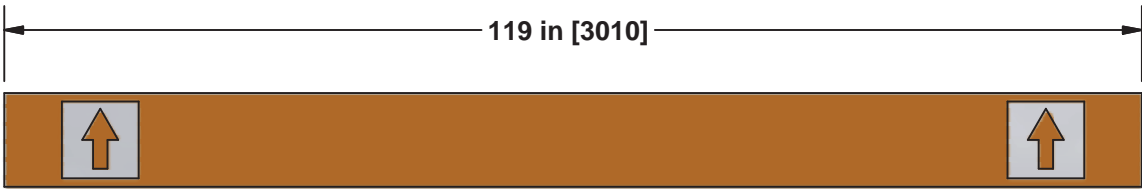
WALL MOUNT STANDARD

DIMENSIONS ARE Inches [mm]		DRAWN BY:		Stewart FILMSCREEN 1161 W. Sepulveda Blvd., Torrance, CA 90502 Customer Care (800) 762-4999 Fax (310) 326-6870	
TOLERANCES: +/- 1/8 in (UNLESS OTHERWISE SPECIFIED)		Engineering			
APPROXIMATE SCREEN WEIGHT:		DRAWING TYPE:		TITLE MODEL "A" (LX)	
50 lbs		Typical			
APPROXIMATE SHIPPING WEIGHT:		CREATION DATE:			
72 lbs		11/23/2015			
MODEL #:					
LX100HST13G3B-12-2-5					
CASE COLOR:		SIZE	SHEET	DRAWING NO.	REV.
Black		A	3 OF 6	00101	

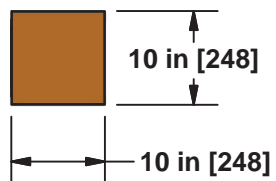
RESTRICTION: The information contained in the proposal is confidential and proprietary to Stewart Filmscreen Corporation, shall not be disclosed beyond the vendor company, and shall not be duplicated, used, or disclosed inwhole or in part for any purpose except to evaluate this proposal.



TOP VIEW

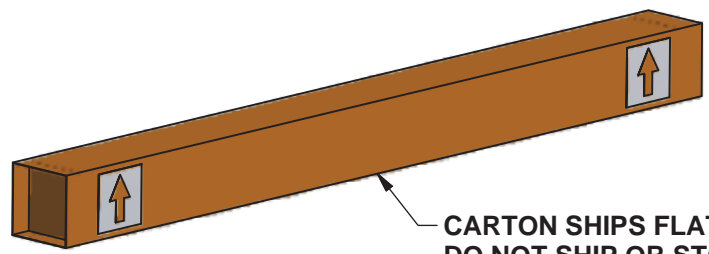


FRONT VIEW



SIDE VIEW

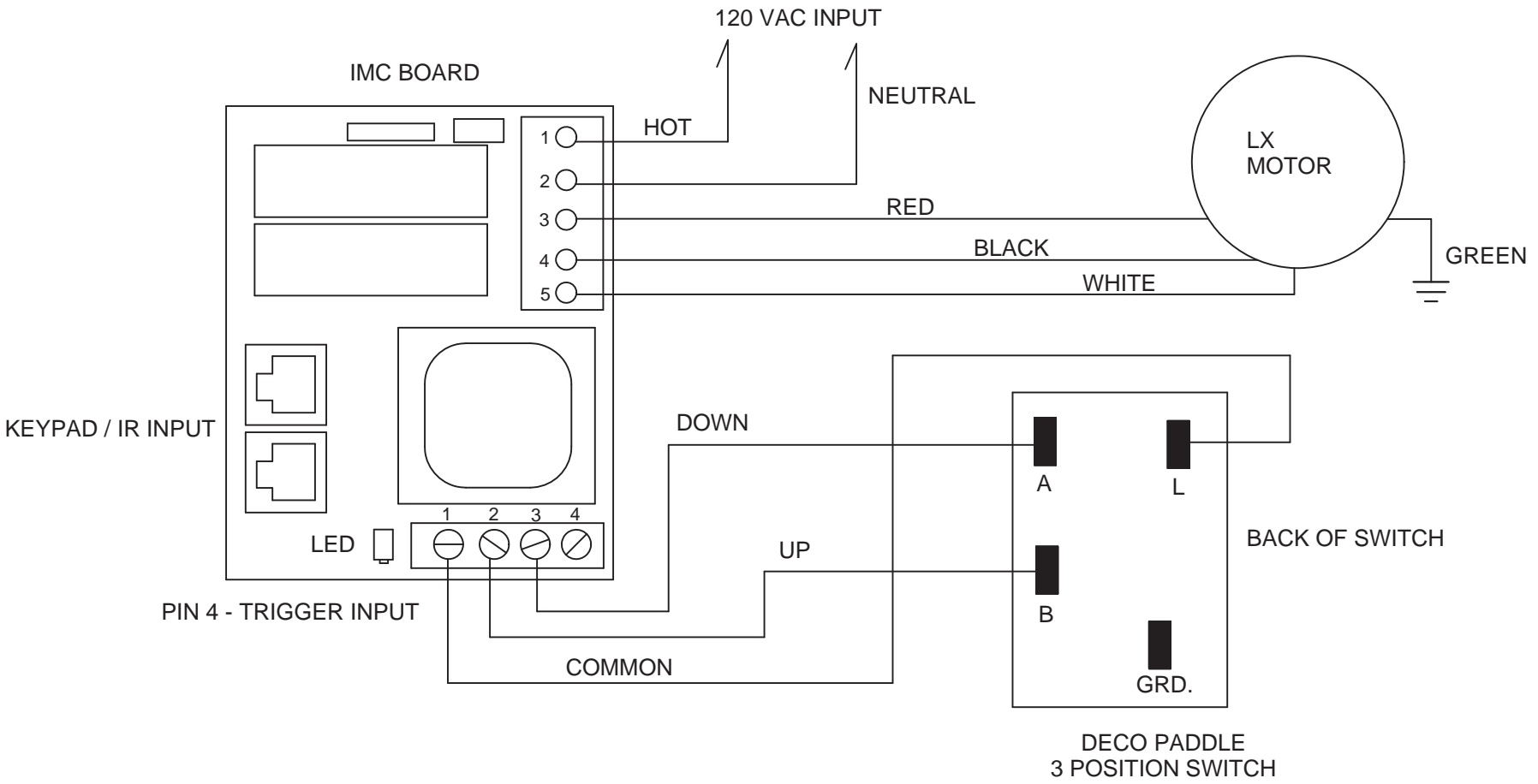
SHIPPING CARTON SIZE



**CARTON SHIPS FLAT
DO NOT SHIP OR STORE
ON END**

DIMENSIONS ARE Inches [mm]		DRAWN BY: Engineering		Stewart FILMSCREEN 1161 W. Sepulveda Blvd., Torrance, CA 90502 Customer Care (800) 762-4999 Fax (310) 326-6870	
TOLERANCES: +/- 1/8 in (UNLESS OTHERWISE SPECIFIED)		DRAWING TYPE: Typical			
APPROXIMATE SCREEN WEIGHT: 50 lbs		CREATION DATE: 11/23/2015		TITLE MODEL "A" (LX)	
APPROXIMATE SHIPPING WEIGHT: 72 lbs		MODEL #: LX100HST13G3B-12-2-5			
CASE COLOR: Black		SIZE A	SHEET 4 OF 6	DRAWING NO. 00101	REV.

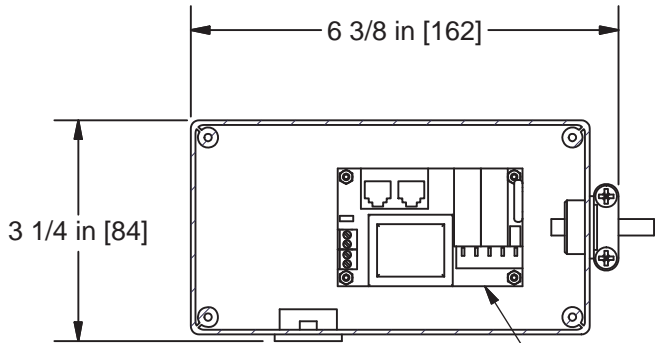
RESTRICTION: The information contained in the proposal is confidential and proprietary to Stewart Filmscreen Corporation, shall not be disclosed beyond the vendor company, and shall not be duplicated, used, or disclosed inwhole or in part for any purpose except to evaluate this proposal.



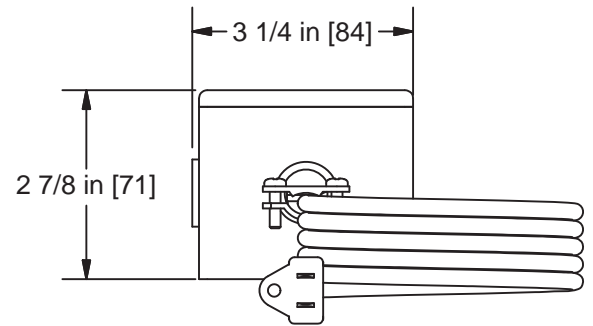
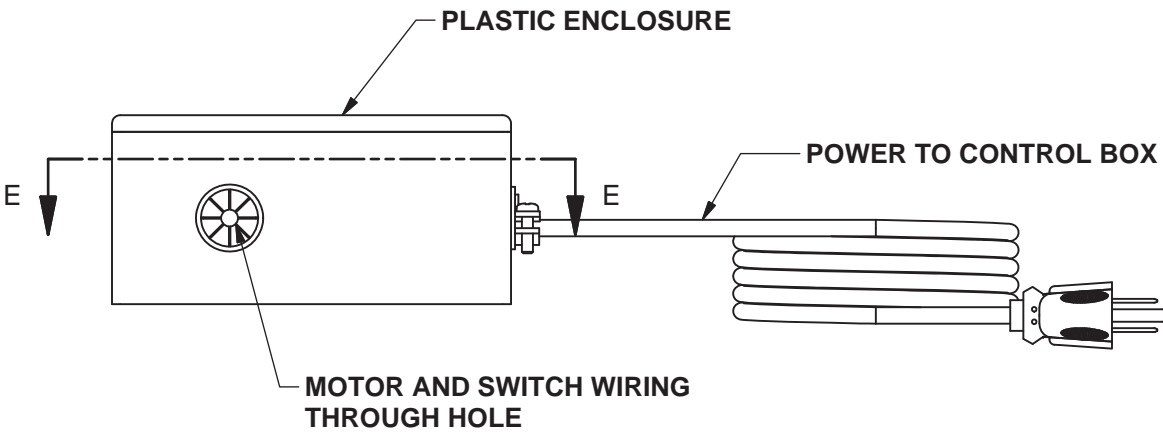
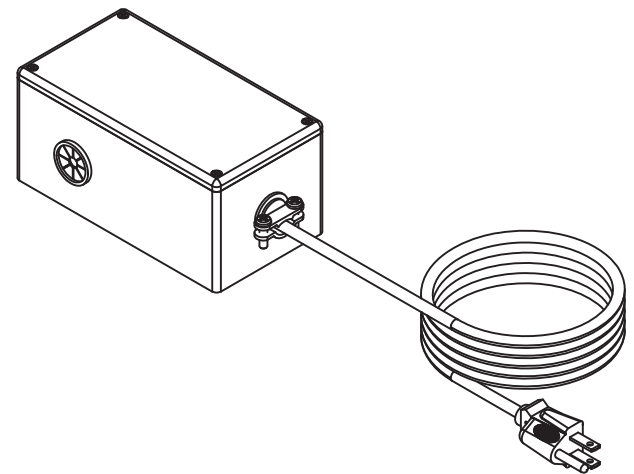
WIRING DIAGRAM
120 VAC, 60 HZ, 1.0A

DIMENSIONS ARE Inches [mm]		DRAWN BY: Engineering		Stewart FILMSCREEN 1161 W. Sepulveda Blvd., Torrance, CA 90502 Customer Care (800) 762-4999 Fax (310) 326-6870	
TOLERANCES: +/- 1/8 in (UNLESS OTHERWISE SPECIFIED)		DRAWING TYPE: Typical			
APPROXIMATE SCREEN WEIGHT: 50 lbs		CREATION DATE: 11/23/2015		TITLE MODEL "A" (LX)	
APPROXIMATE SHIPPING WEIGHT: 72 lbs		MODEL #: LX100HST13G3B-12-2-5			
CASE COLOR: Black		SIZE A	SHEET 5 OF 6		

RESTRICTION: The information contained in the proposal is confidential and proprietary to Stewart Filmscreen Corporation, shall not be disclosed beyond the vendor company, and shall not be duplicated, used, or disclosed in whole or in part for any purpose except to evaluate this proposal.



SECTION E-E
IMC BOARD
 SEE PAGE 5 FOR WIRING



EXTERNAL CONTROL ENCLOSURE

DIMENSIONS ARE Inches [mm]		DRAWN BY: Engineering		Stewart FILMSCREEN 1161 W. Sepulveda Blvd., Torrance, CA 90502 Customer Care (800) 762-4999 Fax (310) 326-6870	
TOLERANCES: +/- 1/8 in (UNLESS OTHERWISE SPECIFIED)		DRAWING TYPE: Typical			
APPROXIMATE SCREEN WEIGHT: 50 lbs		CREATION DATE: 11/23/2015		TITLE MODEL "A" (LX)	
APPROXIMATE SHIPPING WEIGHT: 72 lbs		MODEL #: LX100HST13G3B-12-2-5		SIZE A	SHEET 6 OF 6
CASE COLOR: Black				DRAWING NO. 00101	REV.

RESTRICTION: The information contained in the proposal is confidential and proprietary to Stewart Filmscreen Corporation, shall not be disclosed beyond the vendor company, and shall not be duplicated, used, or disclosed inwhole or in part for any purpose except to evaluate this proposal.