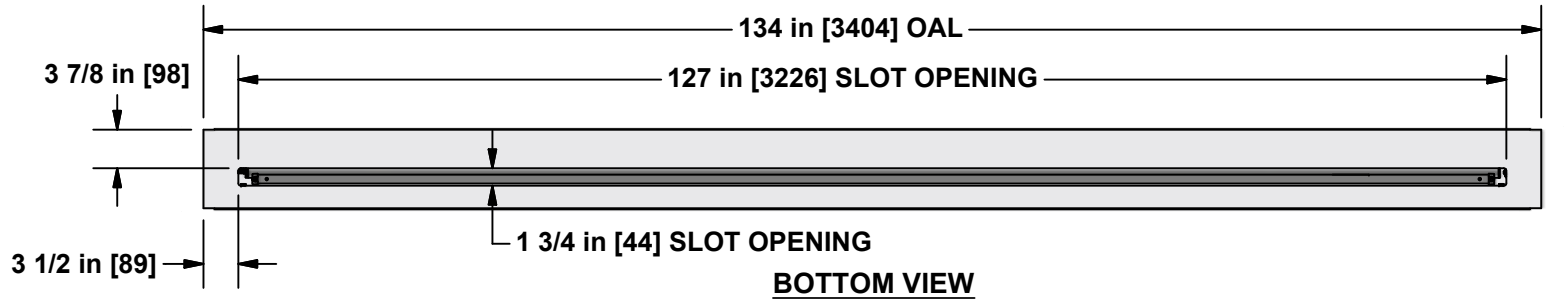
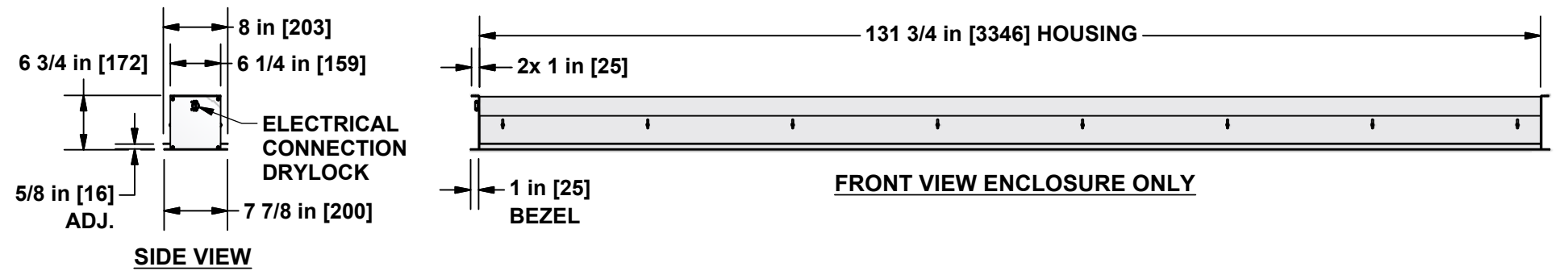
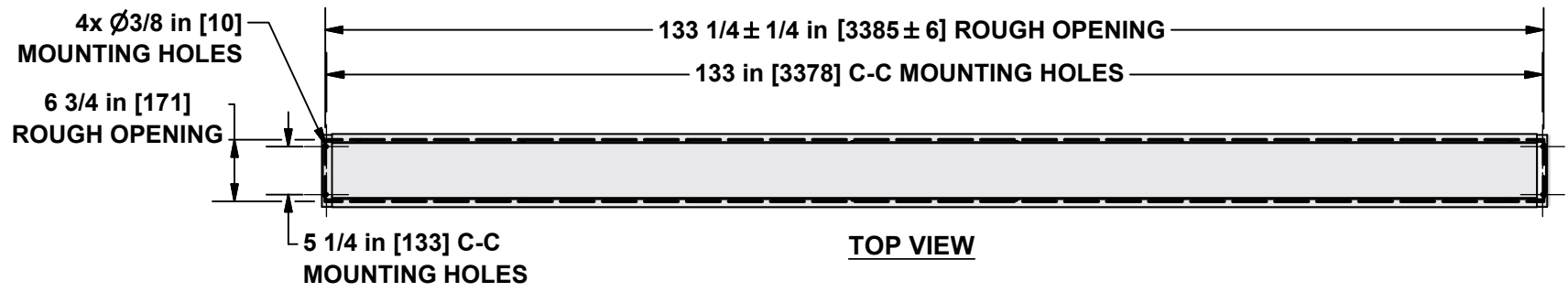


DIMENSIONS ARE Inches [mm]		DRAWN BY:		<b>Stewart</b> FILMSCREEN 1161 W. Sepulveda Blvd., Torrance, CA 90502 Customer Care (800) 762-4999 Fax (310) 326-6870	
TOLERANCES: +/- 1/8 in (UNLESS OTHERWISE SPECIFIED)		Engineering			
APPROXIMATE SCREEN WEIGHT:		DRAWING TYPE:		TITLE <b>Visionary Electriscreen</b>	
100 LBS		Typical			
APPROXIMATE SHIPPING WEIGHT:		CREATION DATE:			
120 LBS		6/19/2014			
MODEL #:		VE120SW-6-3-6			
CASE COLOR:		SIZE	SHEET	DRAWING NO.	REV.
WHITE		A	1 OF 6	00401	

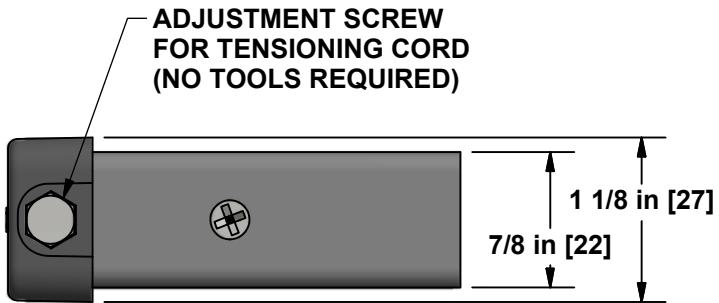
**RESTRICTION:** The information contained in the proposal is confidential and proprietary to Stewart Filmscreen Corporation, shall not be disclosed beyond the vendor company, and shall not be duplicated, used, or disclosed inwhole or in part for any purpose except to evaluate this proposal.



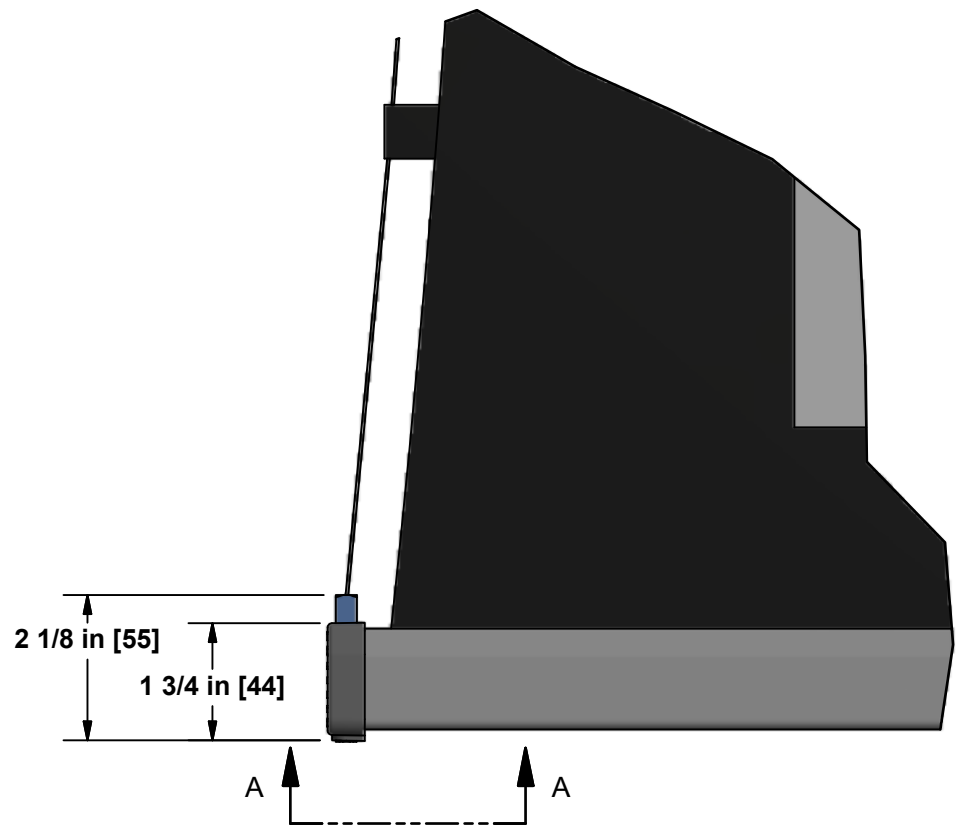
**CEILING MOUNT STANDARD**

DIMENSIONS ARE Inches [mm]		DRAWN BY:		<b>Stewart</b> FILMSCREEN	
TOLERANCES: +/- 1/8 in (UNLESS OTHERWISE SPECIFIED)		Engineering			
APPROXIMATE SCREEN WEIGHT:		DRAWING TYPE:		1161 W. Sepulveda Blvd., Torrance, CA 90502 Customer Care (800) 762-4999 Fax (310) 326-6870	
100 LBS		Typical			
APPROXIMATE SHIPPING WEIGHT:		CREATION DATE:		VISIONARY ELECTRISCREEN	
120 LBS		6/19/2014			
MODEL #:		VE120SW-6-3-6			
CASE COLOR:		SIZE	SHEET	DRAWING NO.	REV.
WHITE		A	2 OF 6	00401	

**RESTRICTION:** The information contained in the proposal is confidential and proprietary to Stewart Filmscreen Corporation, shall not be disclosed beyond the vendor company, and shall not be duplicated, used, or disclosed in whole or in part for any purpose except to evaluate this proposal.



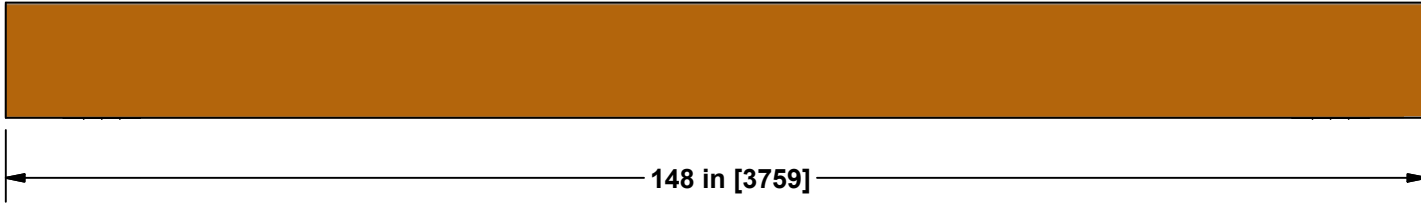
**VIEW A-A**  
BATTEN END CAP



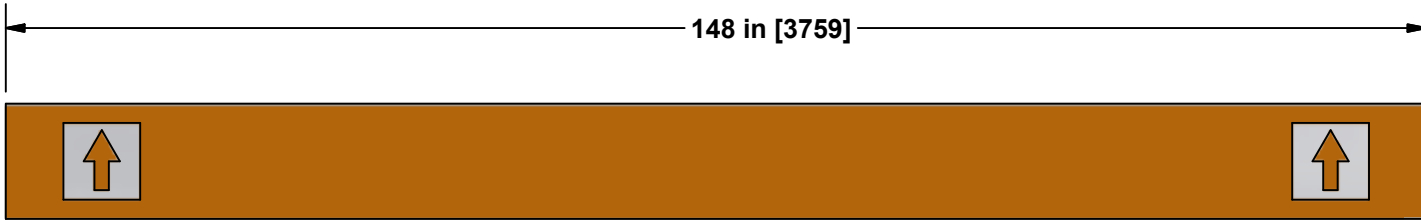
**BATTEN DETAIL**  
TAB TENSIONING

DIMENSIONS ARE Inches [mm]		DRAWN BY:		<b>Stewart</b> FILMSCREEN 1161 W. Sepulveda Blvd., Torrance, CA 90502 Customer Care (800) 762-4999 Fax (310) 326-6870	
TOLERANCES: +/- 1/8 in (UNLESS OTHERWISE SPECIFIED)		Engineering			
APPROXIMATE SCREEN WEIGHT:		DRAWING TYPE:		TITLE <b>Visionary Electriscreen</b>	
100 LBS		Typical			
APPROXIMATE SHIPPING WEIGHT:		CREATION DATE:			
120 LBS		6/19/2014			
MODEL #:					
VE120SW-6-3-6					
CASE COLOR:		SIZE	SHEET	DRAWING NO.	REV.
WHITE		A	3 OF 6	00401	

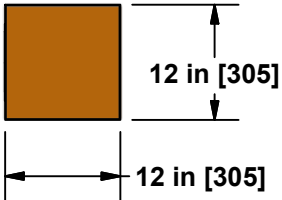
**RESTRICTION:** The information contained in the proposal is confidential and proprietary to Stewart Filmscreen Corporation, shall not be disclosed beyond the vendor company, and shall not be duplicated, used, or disclosed inwhole or in part for any purpose except to evaluate this proposal.



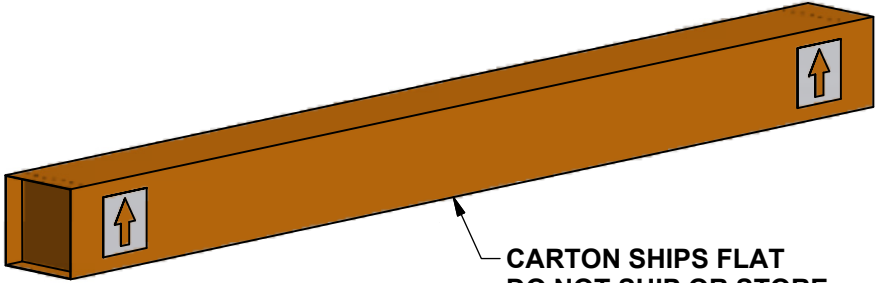
**TOP VIEW**



**FRONT VIEW**



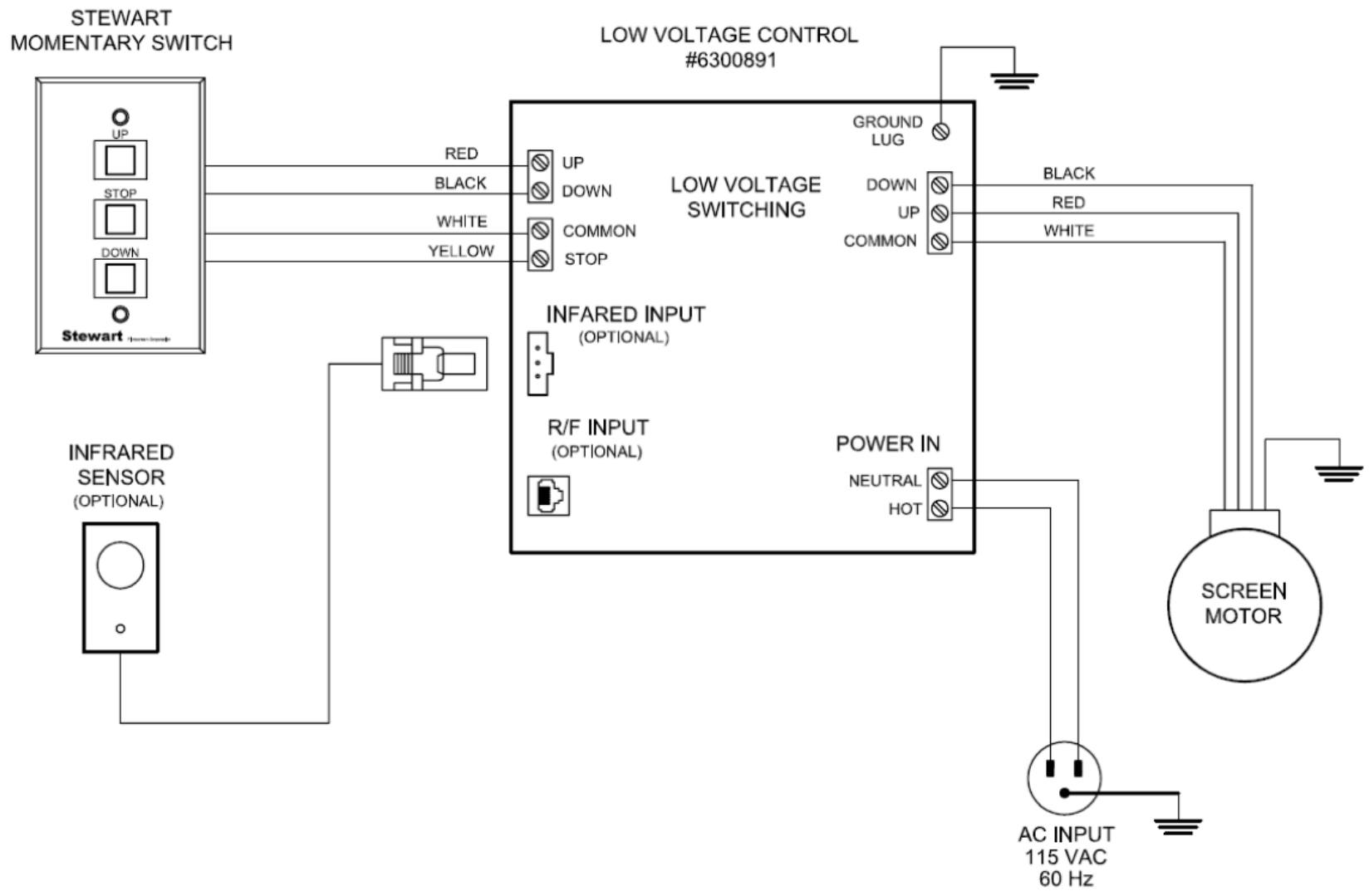
**SHIPPING CARTON SIZE**



**CARTON SHIPS FLAT  
DO NOT SHIP OR STORE  
ON END**

DIMENSIONS ARE Inches [mm]		DRAWN BY: Engineering		<b>Stewart</b> FILMSCREEN 1161 W. Sepulveda Blvd., Torrance, CA 90502 Customer Care (800) 762-4999 Fax (310) 326-6870	
TOLERANCES: +/- 1/8 in (UNLESS OTHERWISE SPECIFIED)		DRAWING TYPE: Typical			
APPROXIMATE SCREEN WEIGHT: 100 LBS		CREATION DATE: 6/19/2014		TITLE Visionary Electriscreen	
APPROXIMATE SHIPPING WEIGHT: 120 LBS		MODEL #: VE120SW-6-3-6			
CASE COLOR: WHITE		SIZE A	SHEET 4 OF 6	DRAWING NO. 00401	REV.

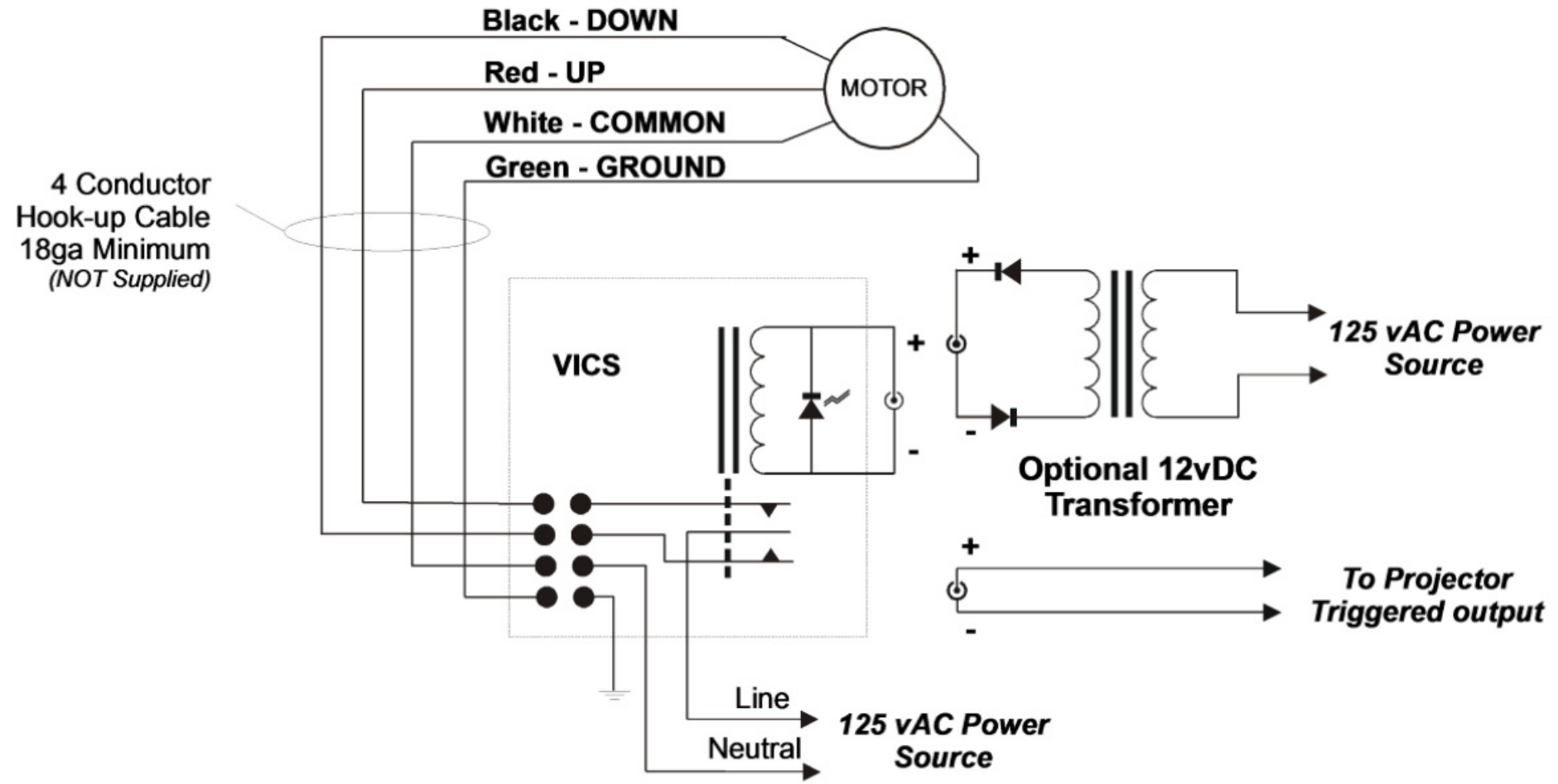
**RESTRICTION:** The information contained in the proposal is confidential and proprietary to Stewart Filmscreen Corporation, shall not be disclosed beyond the vendor company, and shall not be duplicated, used, or disclosed in whole or in part for any purpose except to evaluate this proposal.



**NOTES:**  
**220 VAC LOW VOLTAGE CONTROL VERSION AVAILABLE**

**RESTRICTION:** The information contained in the proposal is confidential and proprietary to Stewart Filmscreen Corporation, shall not be disclosed beyond the vendor company, and shall not be duplicated, used, or disclosed inwhole or in part for any purpose except to evaluate this proposal.

DIMENSIONS ARE Inches [mm]		DRAWN BY: Engineering		<b>Stewart</b> FILMSCREEN 1161 W. Sepulveda Blvd., Torrance, CA 90502 Customer Care (800) 762-4999 Fax (310) 326-6870	
TOLERANCES: +/- 1/8 in (UNLESS OTHERWISE SPECIFIED)		DRAWING TYPE: Typical			
APPROXIMATE SCREEN WEIGHT: 100 LBS		CREATION DATE: 6/19/2014		TITLE Visionary Electriscreen	
APPROXIMATE SHIPPING WEIGHT: 120 LBS		MODEL #: VE120SW-6-3-6			
CASE COLOR: WHITE		SIZE A	SHEET 5 OF 6	DRAWING NO. 00401	REV.



**NOTES:**  
**220 VAC VICS VERSION AVAILABLE**

**RESTRICTION:** The information contained in the proposal is confidential and proprietary to Stewart Filmscreen Corporation, shall not be disclosed beyond the vendor company, and shall not be duplicated, used, or disclosed inwhole or in part for any purpose except to evaluate this proposal.

DIMENSIONS ARE Inches [mm]		DRAWN BY: Engineering		<b>Stewart</b> FILMSCREEN 1161 W. Sepulveda Blvd., Torrance, CA 90502 Customer Care (800) 762-4999 Fax (310) 326-6870	
TOLERANCES: +/- 1/8 in (UNLESS OTHERWISE SPECIFIED)		DRAWING TYPE: Typical			
APPROXIMATE SCREEN WEIGHT: 100 LBS		CREATION DATE: 6/19/2014		TITLE Visionary Electriscreen	
APPROXIMATE SHIPPING WEIGHT: 120 LBS		MODEL #: VE120SW-6-3-6			
CASE COLOR: WHITE		SIZE A	SHEET 6 OF 6	DRAWING NO. 00401	REV.