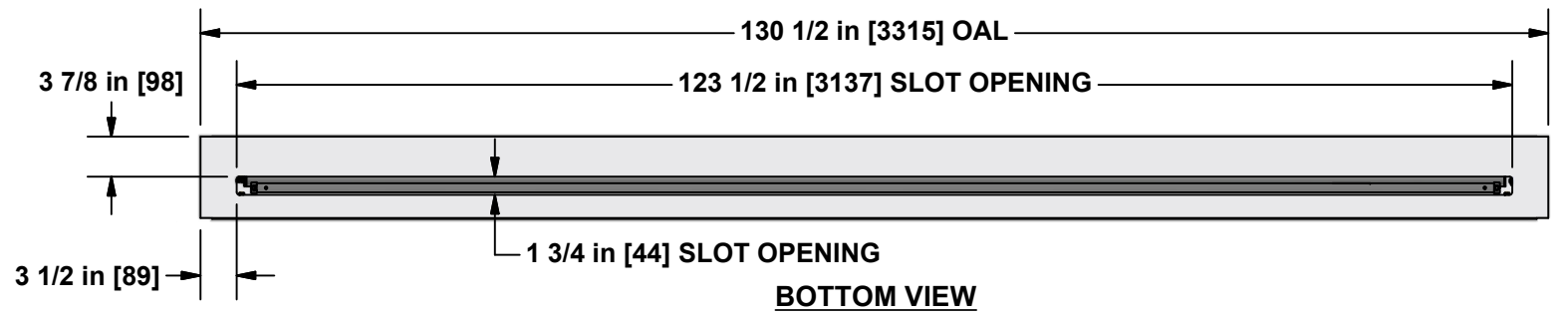
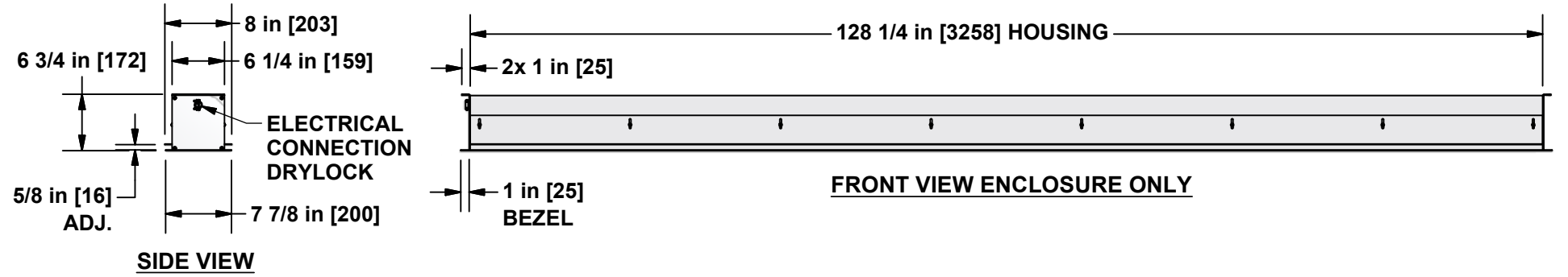
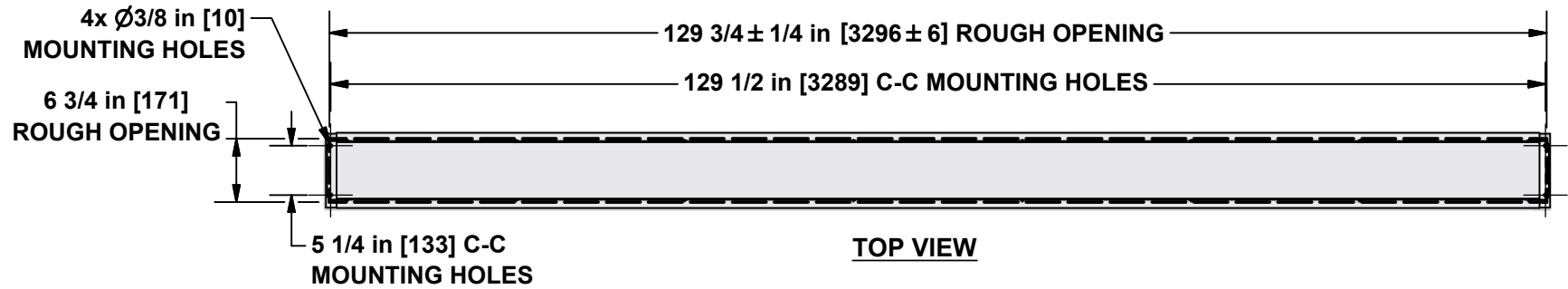


RESTRICTION: The information contained in the proposal is confidential and proprietary to Stewart Filmscreen Corporation, shall not be disclosed beyond the vendor company, and shall not be duplicated, used, or disclosed in whole or in part for any purpose except to evaluate this proposal.

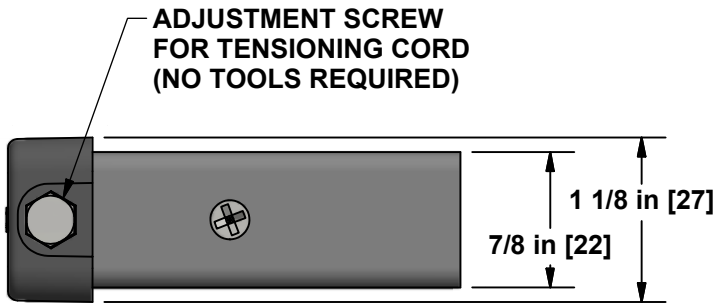
DIMENSIONS ARE Inches [mm]		DRAWN BY:		Stewart FILMSCREEN	
TOLERANCES: +/- 1/8 in (UNLESS OTHERWISE SPECIFIED)		Engineering			
APPROXIMATE SCREEN WEIGHT:		DRAWING TYPE:		1161 W. Sepulveda Blvd., Torrance, CA 90502 Customer Care (800) 762-4999 Fax (310) 326-6870	
100 LBS		Typical			
APPROXIMATE SHIPPING WEIGHT:		CREATION DATE:		TITLE	
120 LBS		6/18/2014			
MODEL #:		VE123HW-6-3-6		Visionary Electriscreen	
CASE COLOR:		WHITE			
SIZE	SHEET	DRAWING NO.	REV.		
A	1 OF 6	00401			



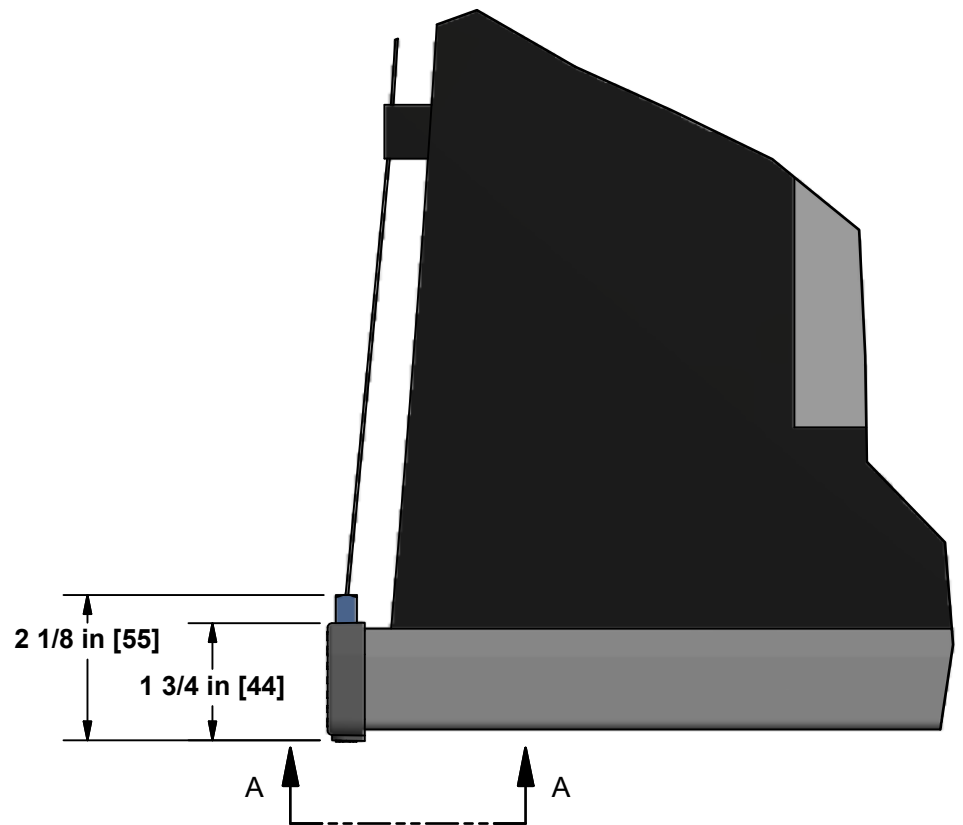
CEILING MOUNT STANDARD

DIMENSIONS ARE Inches [mm]		DRAWN BY: Engineering		Stewart FILMSCREEN 1161 W. Sepulveda Blvd., Torrance, CA 90502 Customer Care (800) 762-4999 Fax (310) 326-6870	
TOLERANCES: +/- 1/8 in (UNLESS OTHERWISE SPECIFIED)		DRAWING TYPE: Typical			
APPROXIMATE SCREEN WEIGHT: 100 LBS		CREATION DATE: 6/18/2014		TITLE Visionary Electriscreen	
APPROXIMATE SHIPPING WEIGHT: 120 LBS		MODEL #: VE123HW-6-3-6			
CASE COLOR: WHITE		SIZE A	SHEET 2 OF 6	DRAWING NO. 00401	REV.

RESTRICTION: The information contained in the proposal is confidential and proprietary to Stewart Filmscreen Corporation, shall not be disclosed beyond the vendor company, and shall not be duplicated, used, or disclosed in whole or in part for any purpose except to evaluate this proposal.



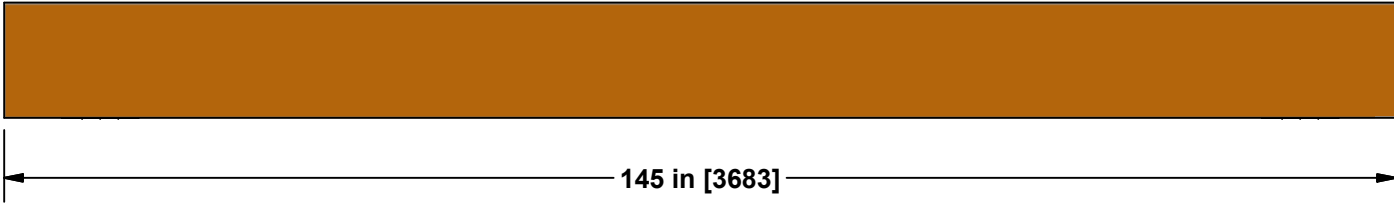
VIEW A-A
BATTEN END CAP



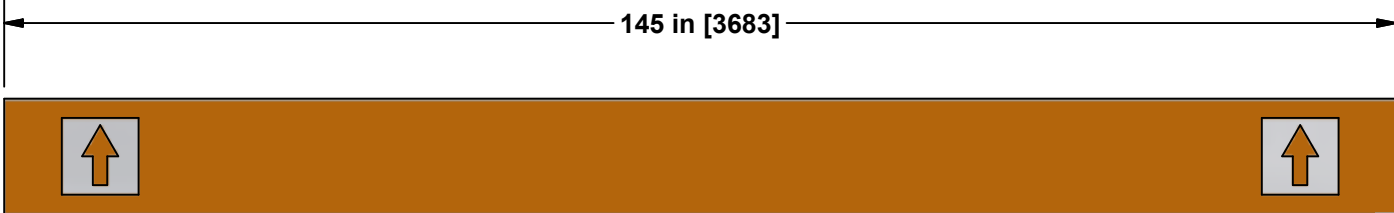
BATTEN DETAIL
TAB TENSIONING

DIMENSIONS ARE Inches [mm]		DRAWN BY:		Stewart FILMSCREEN 1161 W. Sepulveda Blvd., Torrance, CA 90502 Customer Care (800) 762-4999 Fax (310) 326-6870	
TOLERANCES: +/- 1/8 in (UNLESS OTHERWISE SPECIFIED)		Engineering			
APPROXIMATE SCREEN WEIGHT:		DRAWING TYPE:		TITLE Visionary Electriscreen	
100 LBS		Typical			
APPROXIMATE SHIPPING WEIGHT:		CREATION DATE:			
120 LBS		6/18/2014			
MODEL #:					
VE123HW-6-3-6					
CASE COLOR:		SIZE	SHEET	DRAWING NO.	REV.
WHITE		A	3 OF 6	00401	

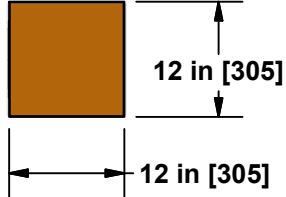
RESTRICTION: The information contained in the proposal is confidential and proprietary to Stewart Filmscreen Corporation, shall not be disclosed beyond the vendor company, and shall not be duplicated, used, or disclosed inwhole or in part for any purpose except to evaluate this proposal.



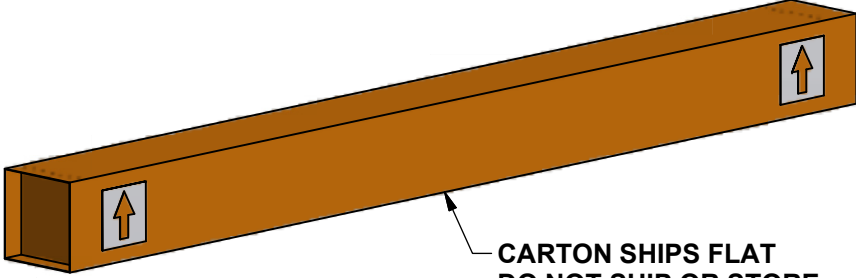
TOP VIEW



FRONT VIEW



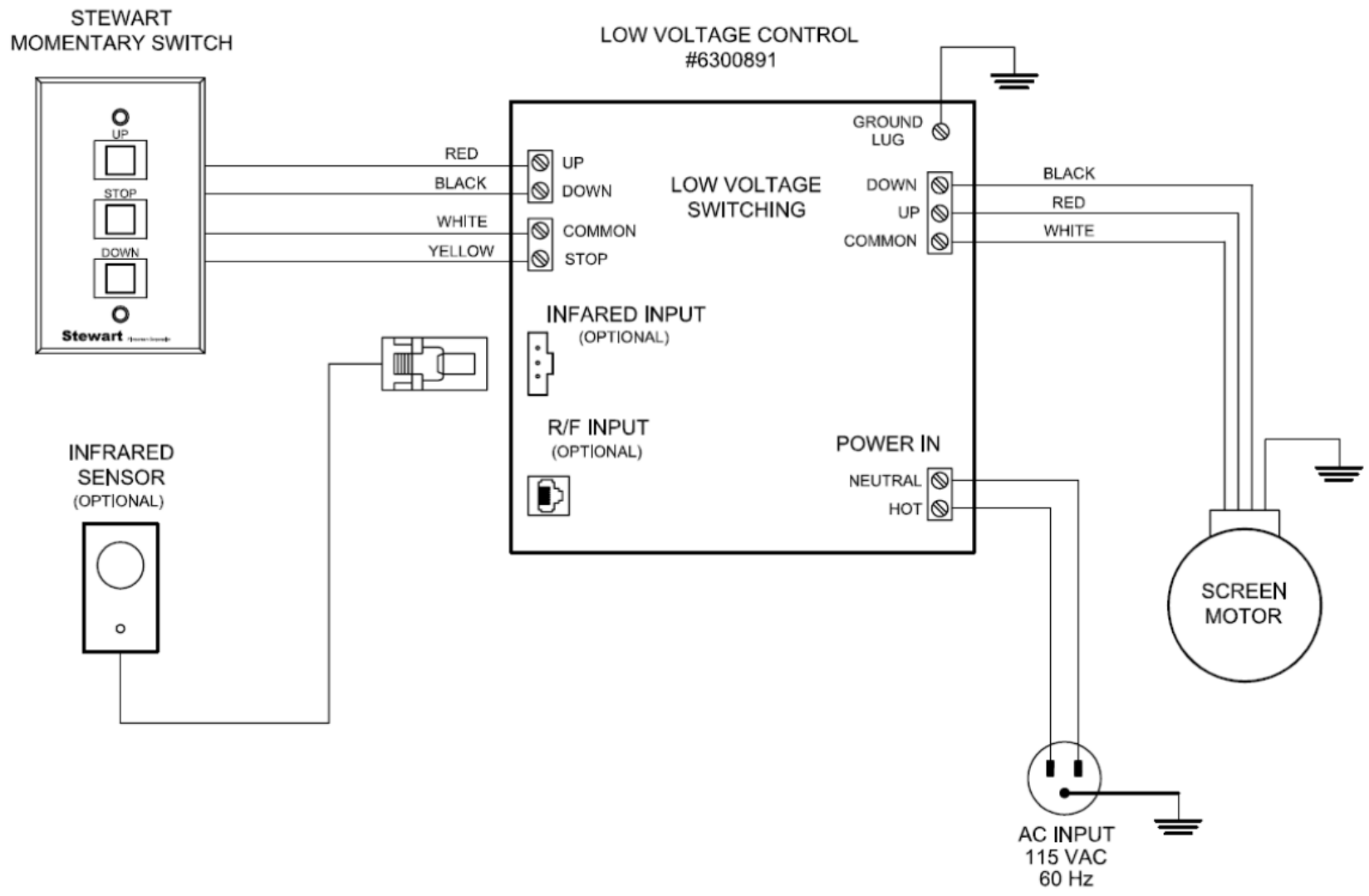
SHIPPING CARTON SIZE



**CARTON SHIPS FLAT
DO NOT SHIP OR STORE
ON END**

DIMENSIONS ARE Inches [mm]		DRAWN BY: Engineering		Stewart FILMSCREEN 1161 W. Sepulveda Blvd., Torrance, CA 90502 Customer Care (800) 762-4999 Fax (310) 326-6870	
TOLERANCES: +/- 1/8 in (UNLESS OTHERWISE SPECIFIED)		DRAWING TYPE: Typical			
APPROXIMATE SCREEN WEIGHT: 100 LBS		CREATION DATE: 6/18/2014		TITLE Visionary Electriscreen	
APPROXIMATE SHIPPING WEIGHT: 120 LBS		MODEL #: VE123HW-6-3-6			
CASE COLOR: WHITE		SIZE A	SHEET 4 OF 6		

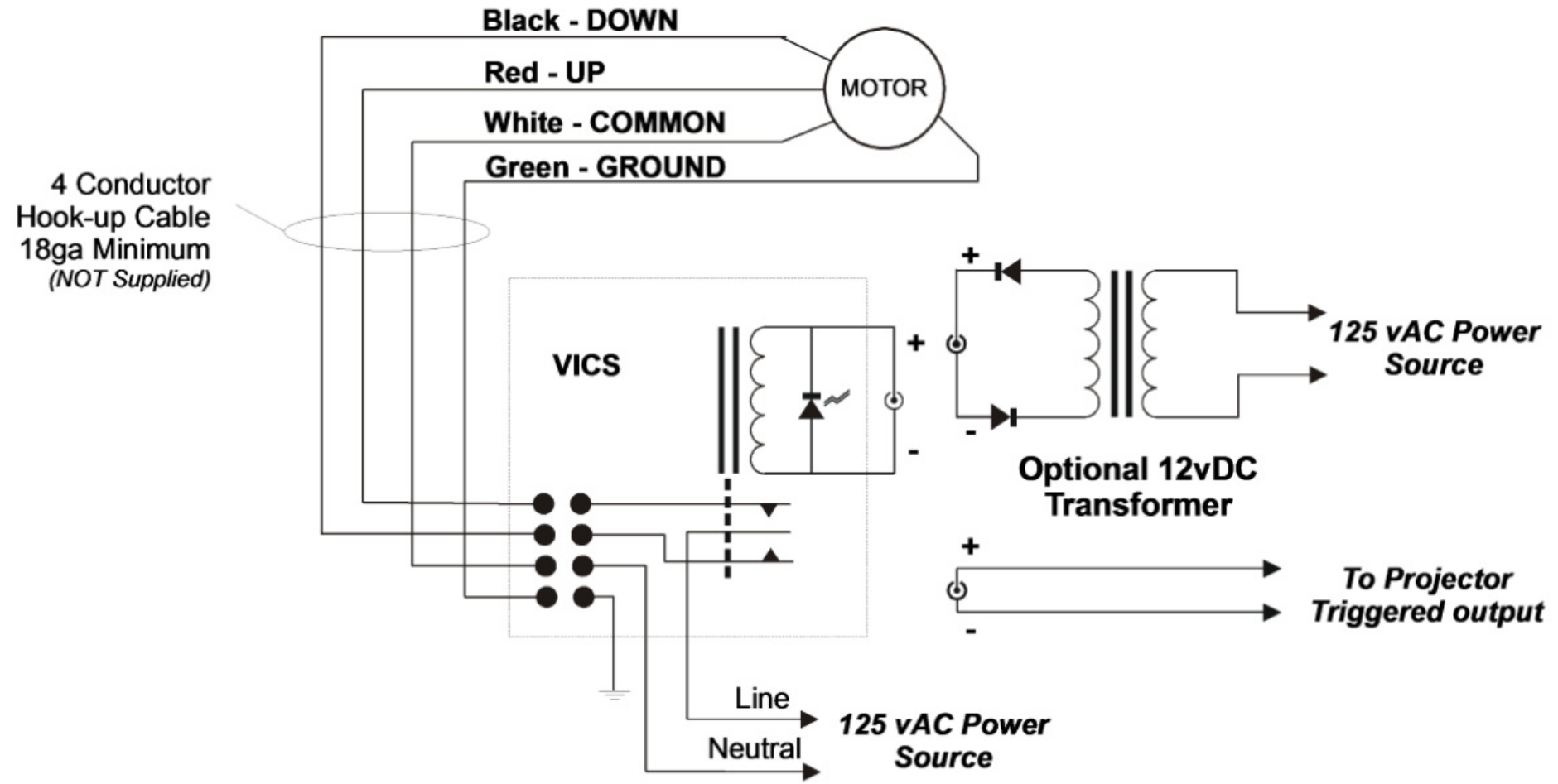
RESTRICTION: The information contained in the proposal is confidential and proprietary to Stewart Filmscreen Corporation, shall not be disclosed beyond the vendor company, and shall not be duplicated, used, or disclosed in whole or in part for any purpose except to evaluate this proposal.



NOTES:
220 VAC LOW VOLTAGE CONTROL VERSION AVAILABLE

RESTRICTION: The information contained in the proposal is confidential and proprietary to Stewart Filmscreen Corporation, shall not be disclosed beyond the vendor company, and shall not be duplicated, used, or disclosed inwhole or in part for any purpose except to evaluate this proposal.

DIMENSIONS ARE Inches [mm]		DRAWN BY: Engineering		Stewart FILMSCREEN 1161 W. Sepulveda Blvd., Torrance, CA 90502 Customer Care (800) 762-4999 Fax (310) 326-6870	
TOLERANCES: +/- 1/8 in (UNLESS OTHERWISE SPECIFIED)		DRAWING TYPE: Typical			
APPROXIMATE SCREEN WEIGHT: 100 LBS		CREATION DATE: 6/18/2014		TITLE Visionary Electriscreen	
APPROXIMATE SHIPPING WEIGHT: 120 LBS		MODEL #: VE123HW-6-3-6			
CASE COLOR: WHITE		SIZE A	SHEET 5 OF 6		



NOTES:
220 VAC VICS VERSION AVAILABLE

RESTRICTION: The information contained in the proposal is confidential and proprietary to Stewart Filmscreen Corporation, shall not be disclosed beyond the vendor company, and shall not be duplicated, used, or disclosed inwhole or in part for any purpose except to evaluate this proposal.

DIMENSIONS ARE Inches [mm]		DRAWN BY: Engineering		Stewart FILMSCREEN 1161 W. Sepulveda Blvd., Torrance, CA 90502 Customer Care (800) 762-4999 Fax (310) 326-6870	
TOLERANCES: +/- 1/8 in (UNLESS OTHERWISE SPECIFIED)		DRAWING TYPE: Typical			
APPROXIMATE SCREEN WEIGHT: 100 LBS		CREATION DATE: 6/18/2014		TITLE Visionary Electriscreen	
APPROXIMATE SHIPPING WEIGHT: 120 LBS		MODEL #: VE123HW-6-3-6			
CASE COLOR: WHITE		SIZE A	SHEET 6 OF 6	DRAWING NO. 00401	REV.