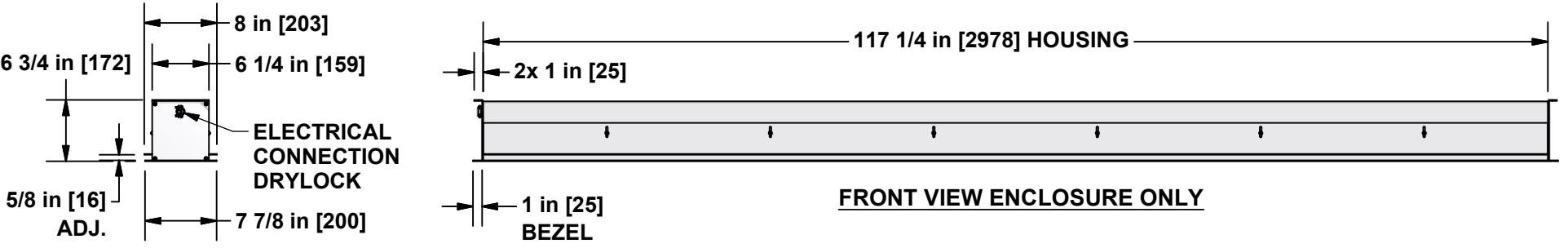
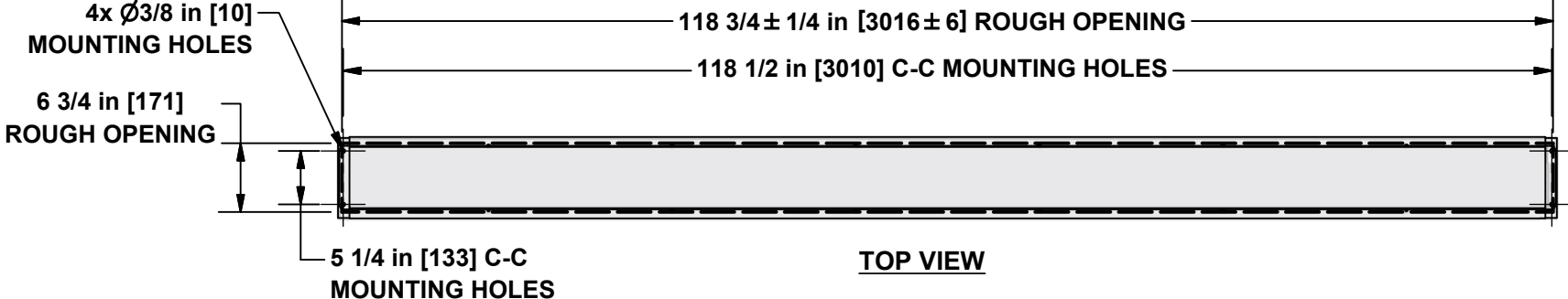
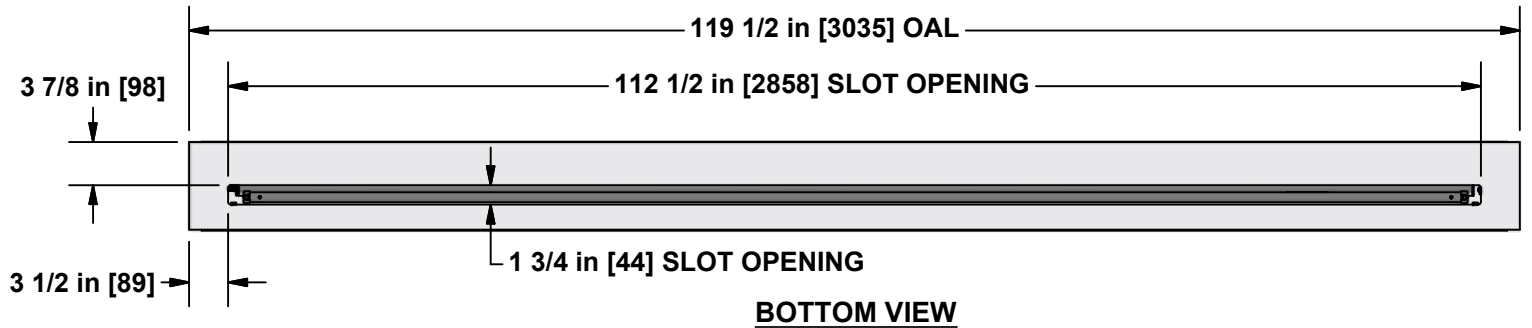


DIMENSIONS ARE Inches [mm]		DRAWN BY:		Stewart FILMSCREEN 1161 W. Sepulveda Blvd., Torrance, CA 90502 Customer Care (800) 762-4999 Fax (310) 326-6870	
TOLERANCES: +/- 1/8 in (UNLESS OTHERWISE SPECIFIED)		Engineering			
APPROXIMATE SCREEN WEIGHT:		DRAWING TYPE:		TITLE Visionary Electriscreen	
95 LBS		Typical			
APPROXIMATE SHIPPING WEIGHT:		CREATION DATE:			
110 LBS		6/19/2014			
MODEL #:					
VE113DW-6-3-6					
CASE COLOR:		SIZE	SHEET	DRAWING NO.	REV.
WHITE		A	1 OF 6	00401	

RESTRICTION: The information contained in the proposal is confidential and proprietary to Stewart Filmscreen Corporation, shall not be disclosed beyond the vendor company, and shall not be duplicated, used, or disclosed in whole or in part for any purpose except to evaluate this proposal.



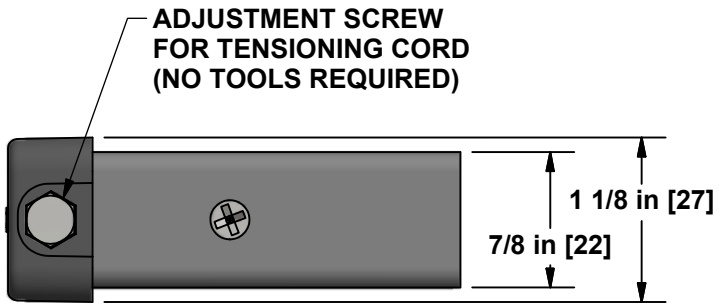
SIDE VIEW



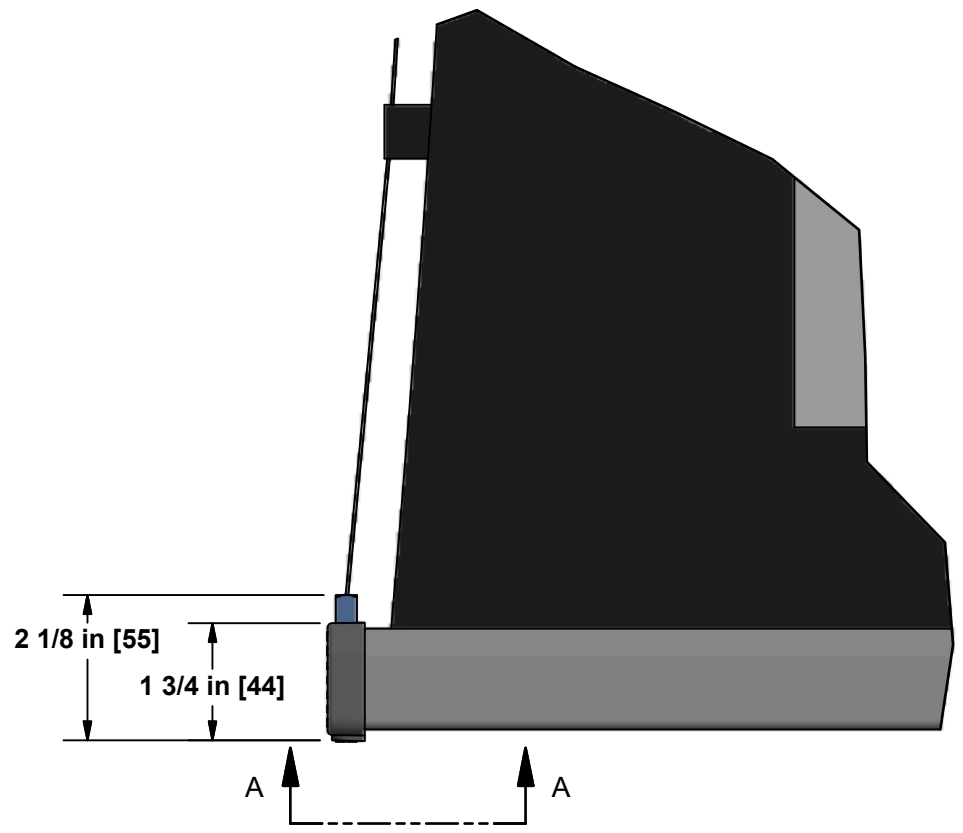
CEILING MOUNT STANDARD

DIMENSIONS ARE Inches [mm]		DRAWN BY:		Stewart FILMSCREEN 1161 W. Sepulveda Blvd., Torrance, CA 90502 Customer Care (800) 762-4999 Fax (310) 326-6870	
TOLERANCES: +/- 1/8 in (UNLESS OTHERWISE SPECIFIED)		Engineering			
APPROXIMATE SCREEN WEIGHT:		DRAWING TYPE:		TITLE Visionary Electriscreen	
95 LBS		Typical			
APPROXIMATE SHIPPING WEIGHT:		CREATION DATE:			
110 LBS		6/19/2014		REV.	
MODEL #:		VE113DW-6-3-6		SIZE	SHEET
CASE COLOR:		WHITE		A	2 OF 6
				DRAWING NO.	00401

RESTRICTION: The information contained in the proposal is confidential and proprietary to Stewart Filmscreen Corporation, shall not be disclosed beyond the vendor company, and shall not be duplicated, used, or disclosed inwhole or in part for any purpose except to evaluate this proposal.



VIEW A-A
BATTEN END CAP



BATTEN DETAIL
TAB TENSIONING

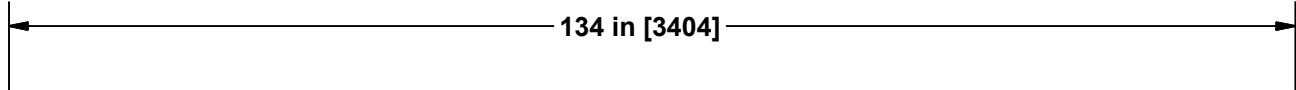
DIMENSIONS ARE Inches [mm]		DRAWN BY:		Stewart FILMSCREEN 1161 W. Sepulveda Blvd., Torrance, CA 90502 Customer Care (800) 762-4999 Fax (310) 326-6870	
TOLERANCES: +/- 1/8 in (UNLESS OTHERWISE SPECIFIED)		Engineering			
APPROXIMATE SCREEN WEIGHT:		DRAWING TYPE:		TITLE Visionary Electriscreen	
95 LBS		Typical			
APPROXIMATE SHIPPING WEIGHT:		CREATION DATE:			
110 LBS		6/19/2014			
MODEL #:					
VE113DW-6-3-6					
CASE COLOR:		SIZE	SHEET	DRAWING NO.	REV.
WHITE		A	3 OF 6	00401	

RESTRICTION: The information contained in the proposal is confidential and proprietary to Stewart Filmscreen Corporation, shall not be disclosed beyond the vendor company, and shall not be duplicated, used, or disclosed inwhole or in part for any purpose except to evaluate this proposal.



134 in [3404]

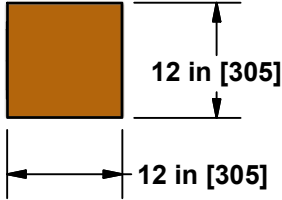
TOP VIEW



134 in [3404]



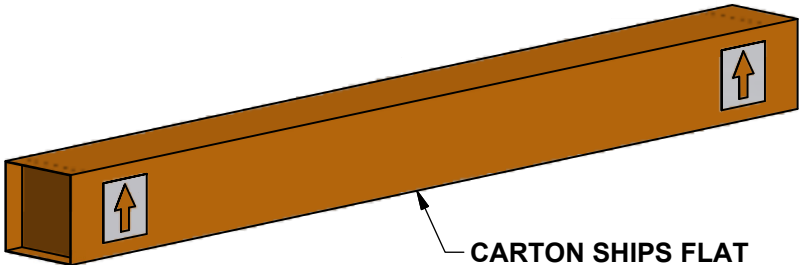
FRONT VIEW



12 in [305]

12 in [305]

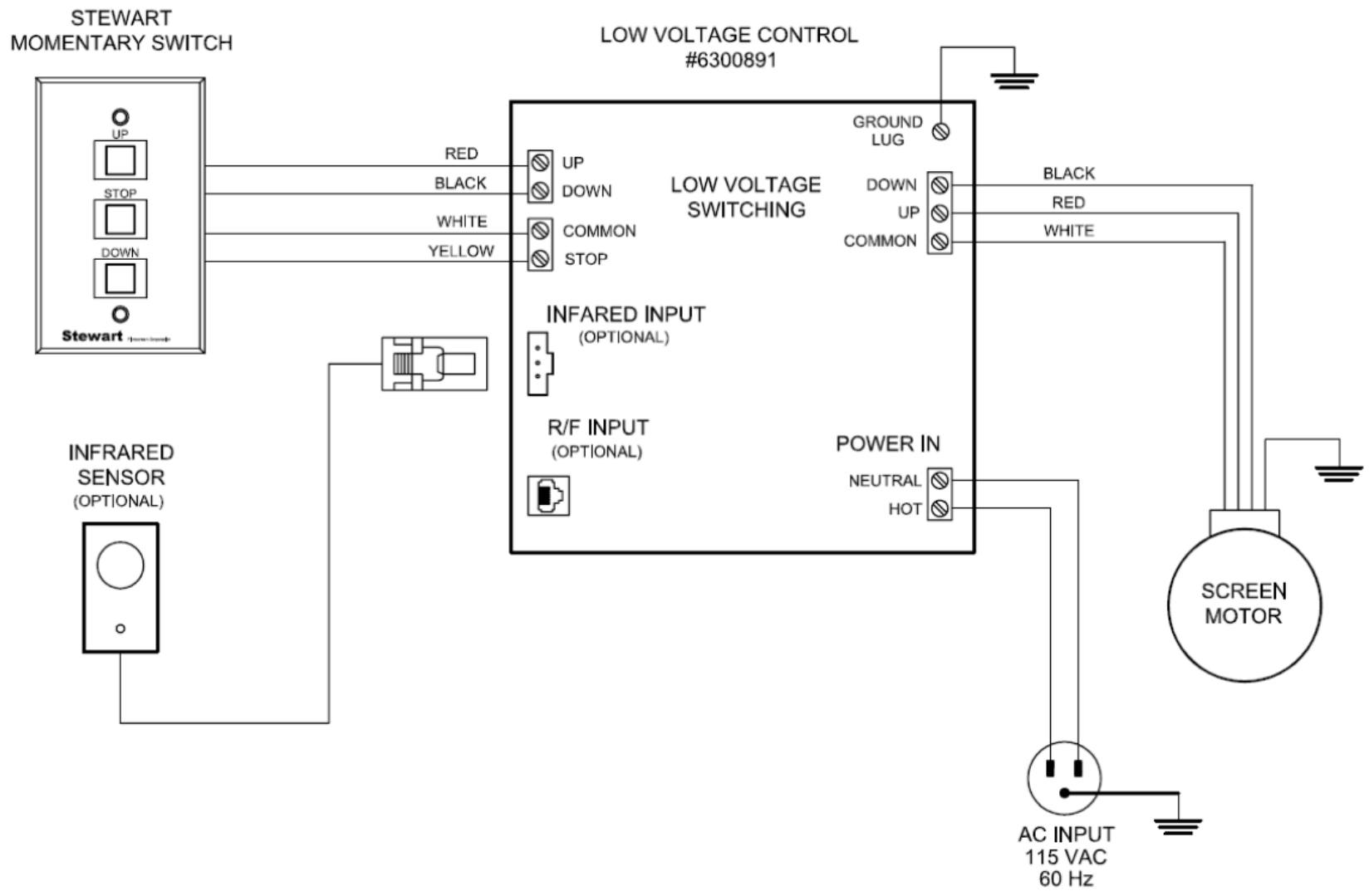
SHIPPING CARTON SIZE



**CARTON SHIPS FLAT
DO NOT SHIP OR STORE
ON END**

DIMENSIONS ARE Inches [mm]		DRAWN BY:		Stewart FILMSCREEN 1161 W. Sepulveda Blvd., Torrance, CA 90502 Customer Care (800) 762-4999 Fax (310) 326-6870	
TOLERANCES: +/- 1/8 in (UNLESS OTHERWISE SPECIFIED)		Engineering			
APPROXIMATE SCREEN WEIGHT:		DRAWING TYPE:		TITLE Visionary Electriscreen	
95 LBS		Typical			
APPROXIMATE SHIPPING WEIGHT:		CREATION DATE:			
110 LBS		6/19/2014		MODEL #:	
MODEL #:		VE113DW-6-3-6		SIZE	
CASE COLOR:		WHITE		SHEET	
				4 OF 6	
				DRAWING NO.	
				00401	
				REV.	

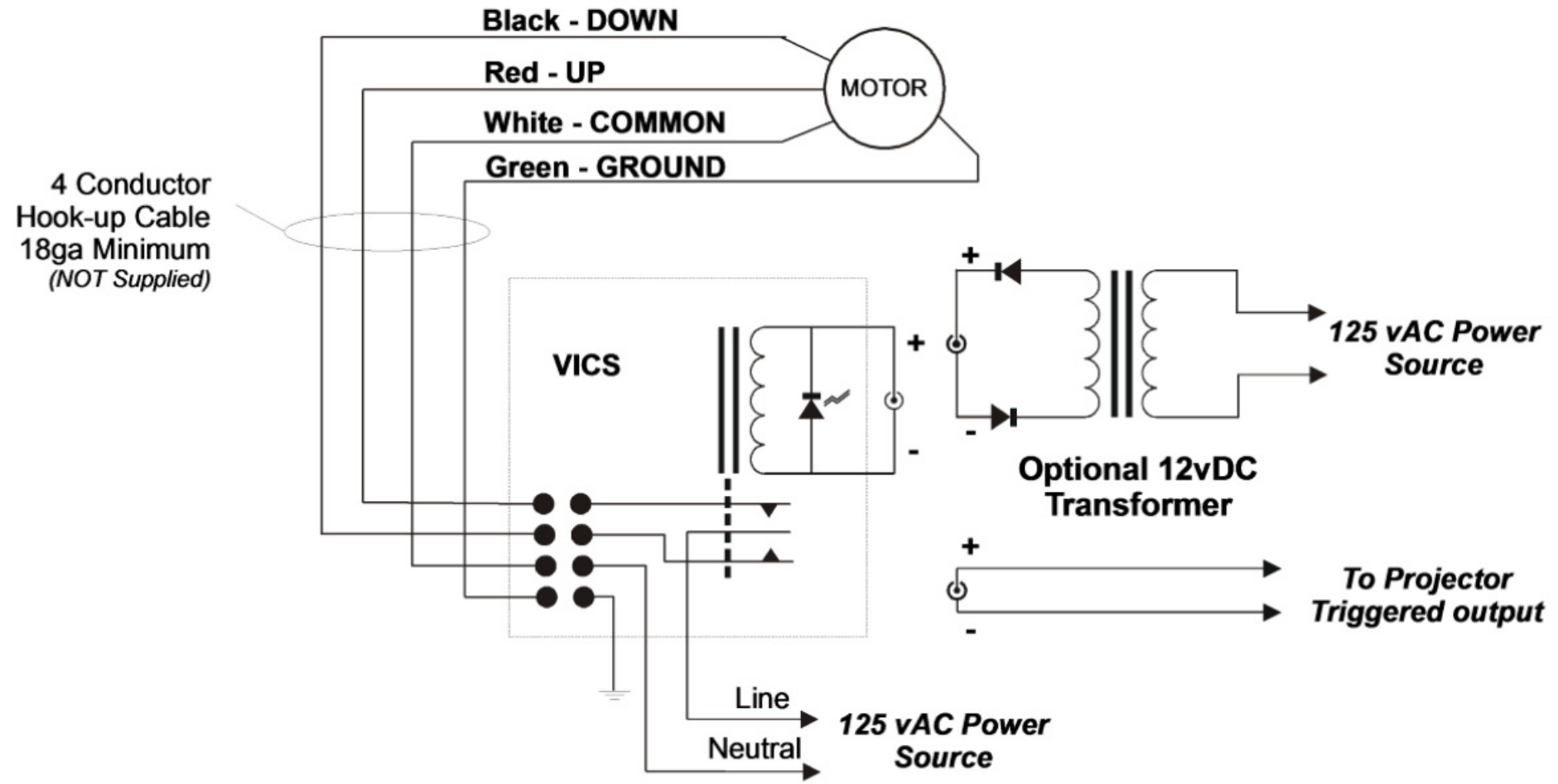
RESTRICTION: The information contained in the proposal is confidential and proprietary to Stewart Filmscreen Corporation, shall not be disclosed beyond the vendor company, and shall not be duplicated, used, or disclosed in whole or in part for any purpose except to evaluate this proposal.



NOTES:
220 VAC LOW VOLTAGE CONTROL VERSION AVAILABLE

RESTRICTION: The information contained in the proposal is confidential and proprietary to Stewart Filmscreen Corporation, shall not be disclosed beyond the vendor company, and shall not be duplicated, used, or disclosed inwhole or in part for any purpose except to evaluate this proposal.

DIMENSIONS ARE Inches [mm]		DRAWN BY: Engineering		Stewart FILMSCREEN 1161 W. Sepulveda Blvd., Torrance, CA 90502 Customer Care (800) 762-4999 Fax (310) 326-6870	
TOLERANCES: +/- 1/8 in (UNLESS OTHERWISE SPECIFIED)		DRAWING TYPE: Typical			
APPROXIMATE SCREEN WEIGHT: 95 LBS		CREATION DATE: 6/19/2014		TITLE Visionary Electriscreen	
APPROXIMATE SHIPPING WEIGHT: 110 LBS		MODEL #: VE113DW-6-3-6			
CASE COLOR: WHITE		SIZE A	SHEET 5 OF 6	DRAWING NO. 00401	REV.



NOTES:
220 VAC VICS VERSION AVAILABLE

RESTRICTION: The information contained in the proposal is confidential and proprietary to Stewart Filmscreen Corporation, shall not be disclosed beyond the vendor company, and shall not be duplicated, used, or disclosed inwhole or in part for any purpose except to evaluate this proposal.

DIMENSIONS ARE Inches [mm]		DRAWN BY: Engineering		Stewart FILMSCREEN 1161 W. Sepulveda Blvd., Torrance, CA 90502 Customer Care (800) 762-4999 Fax (310) 326-6870	
TOLERANCES: +/- 1/8 in (UNLESS OTHERWISE SPECIFIED)		DRAWING TYPE: Typical			
APPROXIMATE SCREEN WEIGHT: 95 LBS		CREATION DATE: 6/19/2014		TITLE Visionary Electriscreen	
APPROXIMATE SHIPPING WEIGHT: 110 LBS		MODEL #: VE113DW-6-3-6			
CASE COLOR: WHITE		SIZE A	SHEET 6 OF 6	DRAWING NO. 00401	REV.