

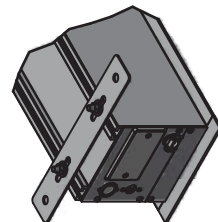
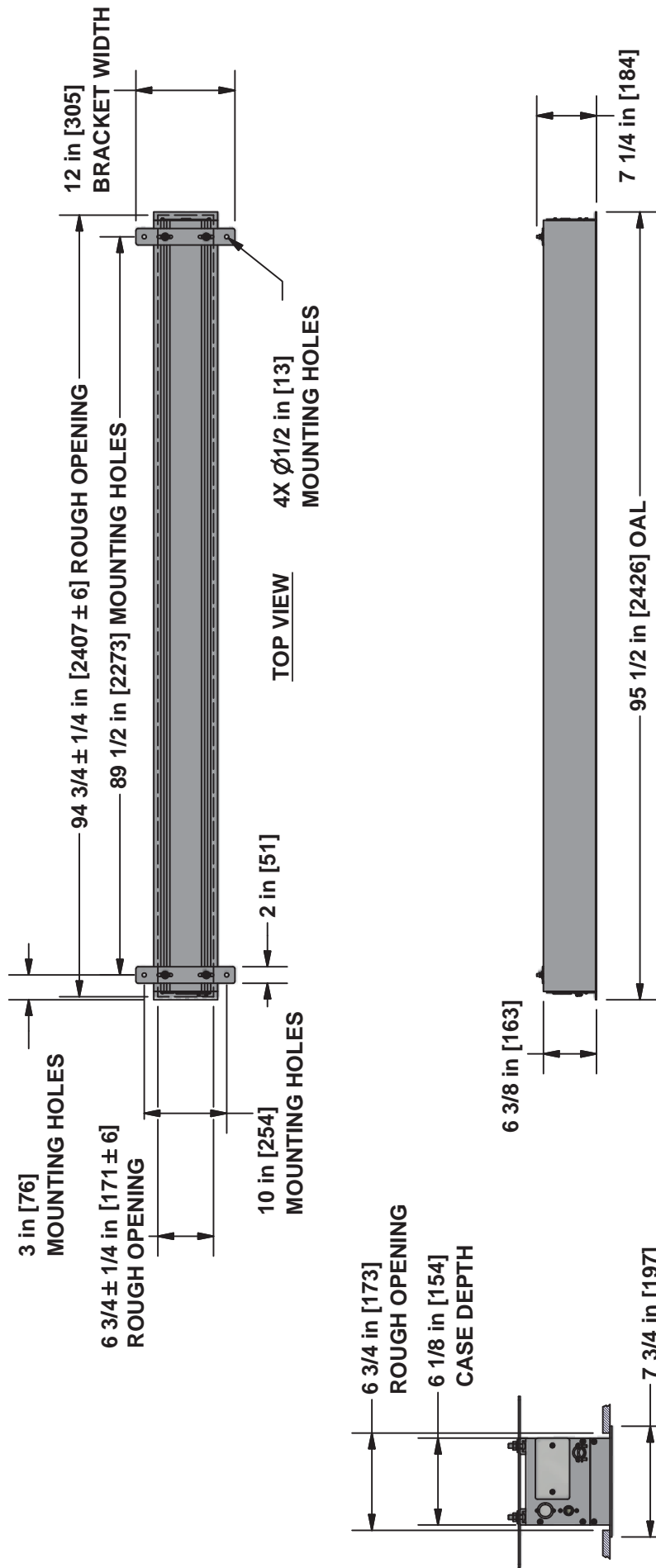
ISOMETRIC VIEW

**MOUNTING BRACKET
STANDARD**

DIMENSIONS ARE INCHES (mm)		DRAWN BY: Engineering	
TOLERANCES: +/- 1/8 in (UNLESS OTHERWISE SPECIFIED)		DRAWING TYPE: Typical	
APPROXIMATE SCREEN WEIGHT: 45 LBS		CREATION DATE: 8/18/15	
APPROXIMATE SHIPPING WEIGHT: 98 LBS		MODEL #: CINTAC092HEST10W-2-2-2	
CASE COLOR: White		TITLE: CIMA NON-TENSIONED ABOVE CEILING	
SIZE	SHEET	PART NO.	REV.
A	2 OF 6	0095X	

Stewart FILM SCREEN
 1161 W. Sepulveda Blvd., Torrance, CA 90502
 Customer Care (800) 762-4999 Fax (310) 326-6870

RESTRICTION: The information contained in the proposal is confidential and proprietary to Stewart Filmscreen Corporation, shall not be disclosed beyond the vendor company, and shall not be duplicated, used, or disclosed in whole or in part for any purpose except to evaluate this proposal.



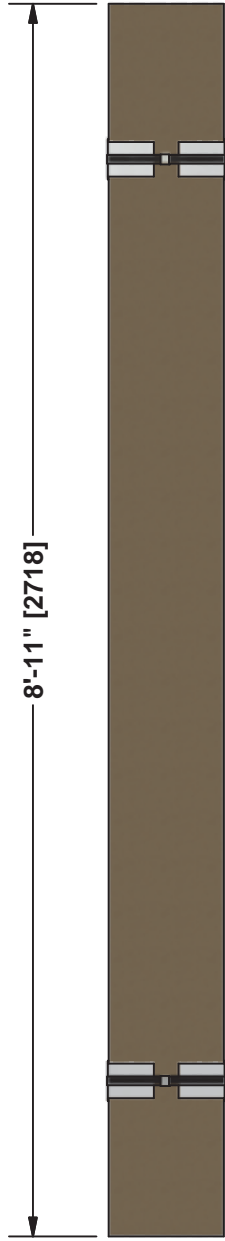
ISOMETRIC VIEW

**MOUNTING BRACKET
OPTIONAL**

DIMENSIONS ARE INCHES (mm)		DRAWN BY: Engineering	
TOLERANCES: +/- 1/8 in (UNLESS OTHERWISE SPECIFIED)		DRAWING TYPE: Typical	
APPROXIMATE SCREEN WEIGHT: 45 LBS		CREATION DATE: 8/18/15	
APPROXIMATE SHIPPING WEIGHT: 98 LBS		MODEL #: CINTAC092HEST10W-2-2	
CASE COLOR: White		TITLE: CIMA NON-TENSIONED ABOVE CEILING	
SIZE	SHEET	PART NO.	REV.
A	3 OF 6	0095X	

Stewart FILM SCREEN
 1161 W. Sepulveda Blvd., Torrance, CA 90502
 Customer Care (800) 762-4999 Fax (310) 326-6870

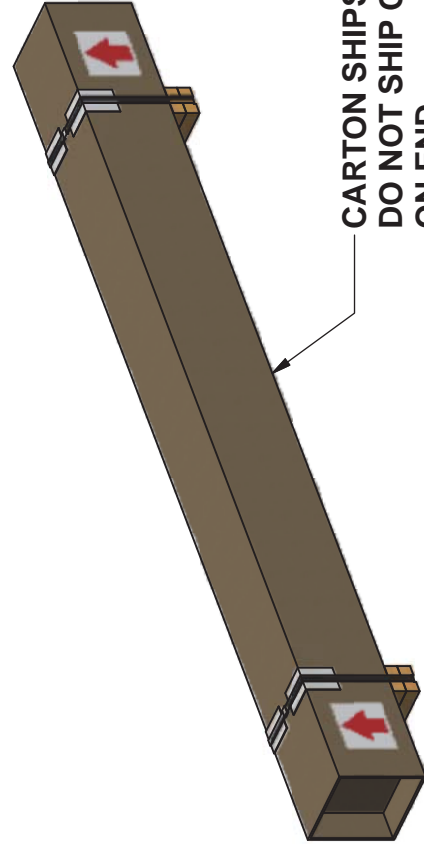
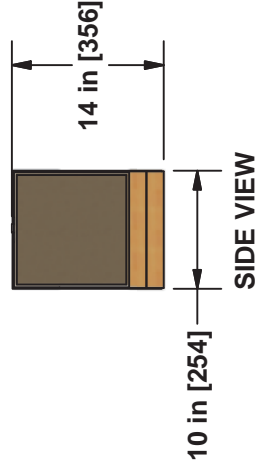
RESTRICTION: The information contained in the proposal is confidential and proprietary to Stewart Filmscreen Corporation, shall not be disclosed beyond the vendor company, and shall not be duplicated, used, or disclosed in whole or in part for any purpose except to evaluate this proposal.



TOP VIEW



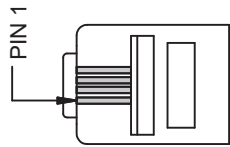
FRONT VIEW



**CARTON SHIPS FLAT
DO NOT SHIP OR STORE
ON END**

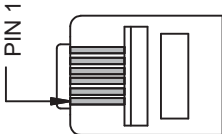
DIMENSIONS ARE INCHES (mm)		DRAWN BY: Engineering	
TOLERANCES: +/- 1/8 in (UNLESS OTHERWISE SPECIFIED)		DRAWING TYPE: Typical	
APPROXIMATE SCREEN WEIGHT: 45 LBS		CREATION DATE: 8/18/15	
APPROXIMATE SHIPPING WEIGHT: 98 LBS		MODEL #:	
CINTAC092HEST10W-2-2			
CASE COLOR: White		SIZE: A	SHEET: 4 OF 6
TITLE: CIMA NON-TENSIONED ABOVE CEILING		PART NO.:	REV. 0095X
Stewart FILM SCREEN 1161 W. Sepulveda Blvd., Torrance, CA 90502 Customer Care (800) 762-4999 Fax (310) 326-6870			

RESTRICTION: The information contained in the proposal is confidential and proprietary to Stewart Filmscreen Corporation, shall not be disclosed beyond the vendor company, and shall not be duplicated, used, or disclosed in whole or in part for any purpose except to evaluate this proposal.



4 PIN:

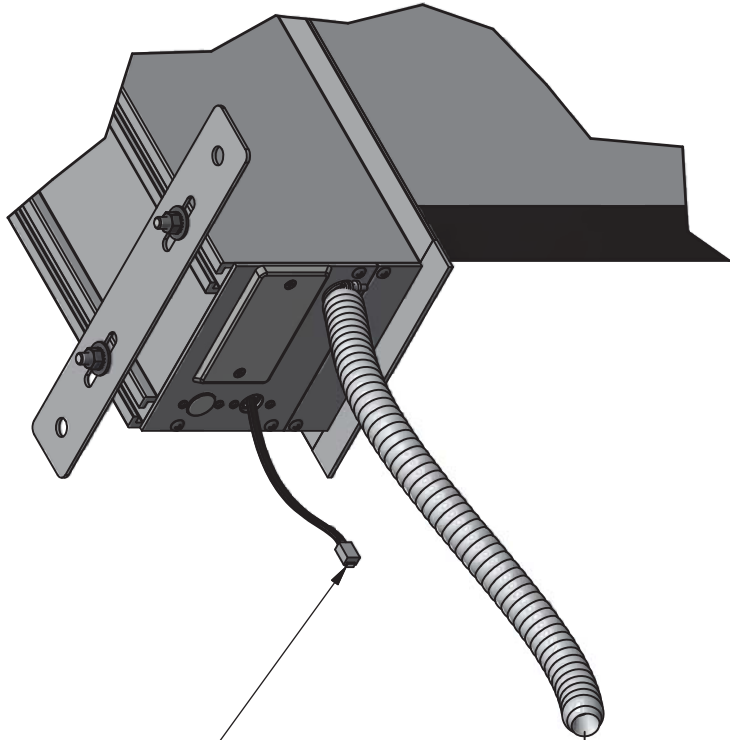
PIN	SIGNAL
1	COMMON
2	LV1
3	LV2
4	STI



6 PIN:

PIN	SIGNAL
1	NOT USED
2	COMMON
3	LV1
4	LV2
5	STI
6	NOT USED

STI INPUT
4 PIN OR 6 PIN
RJ25 CONNECTOR
SEE CHART



POWER CONDUIT

BLACK (HOT)

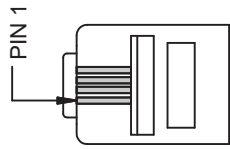
WHITE (COMMON)

GREEN (GROUND)

120 VOLT WIRING

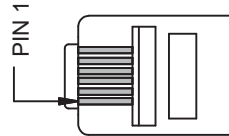
DIMENSIONS ARE INCHES (mm)		DRAWN BY: Engineering	
TOLERANCES: +/- 1/8 IN. (UNLESS OTHERWISE SPECIFIED)		DRAWING TYPE: Typical	
APPROXIMATE SCREEN WEIGHT: 45 LBS		CREATION DATE: 8/18/15	
APPROXIMATE SHIPPING WEIGHT: 98 LBS		MODEL #:	
CINTAC092HEST10W-2-2-2		CASE COLOR: White	
SIZE	SHEET	PART NO.	REV.
A	5 OF 6	0095X	
TITLE			
Stewart FILM SCREEN 1161 W. Sepulveda Blvd., Torrance, CA 90502 Customer Care (800) 762-4999 Fax (310) 326-6870			
CIMA NON-TENSIONED ABOVE CEILING			

RESTRICTION: The information contained in the proposal is confidential and proprietary to Stewart Filmscreen Corporation, shall not be disclosed beyond the vendor company, and shall not be duplicated, used, or disclosed in whole or in part for any purpose except to evaluate this proposal.



4 PIN:

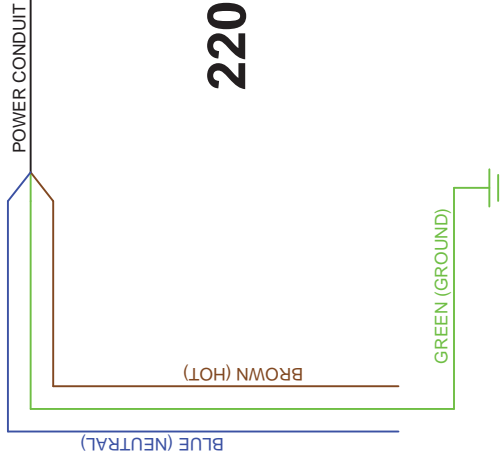
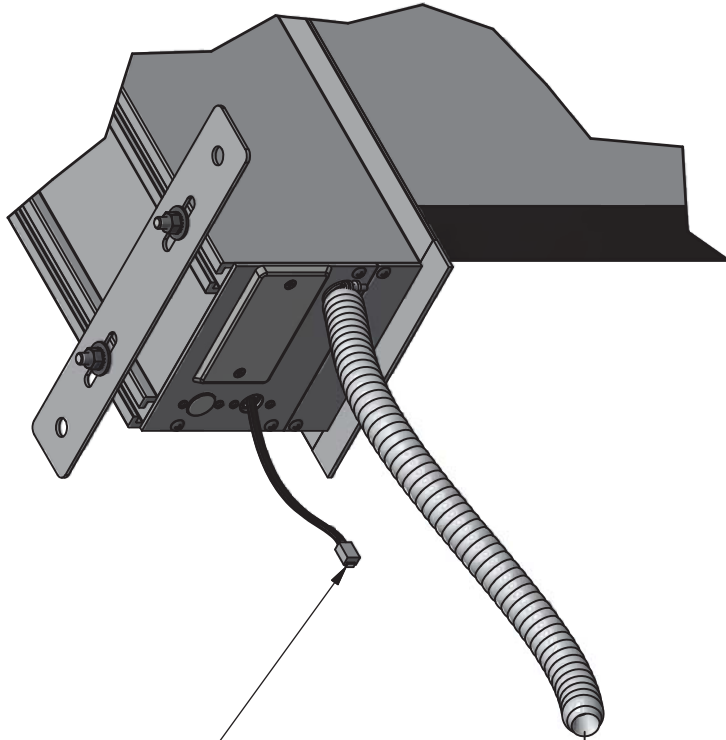
PIN	SIGNAL
1	COMMON
2	LV1
3	LV2
4	STI



6 PIN:

PIN	SIGNAL
1	NOT USED
2	COMMON
3	LV1
4	LV2
5	STI
6	NOT USED

STI INPUT
4 PIN OR 6 PIN
RJ25 CONNECTOR
SEE CHART



220 VOLT WIRING

RESTRICTION: The information contained in the proposal is confidential and proprietary to Stewart Filmscreen Corporation, shall not be disclosed beyond the vendor company, and shall not be duplicated, used, or disclosed in whole or in part for any purpose except to evaluate this proposal.

Z:\Inventor Reference Folder\0095X CIMA NT AC Typical\0095X CIMA NT AC Typical.idw

THIS DOCUMENT IS PROPRIETARY PROPERTY OF STEWART FILMSCREEN CORPORATION AND SHALL NOT BE DUPLICATED OR DISCLOSED WITHOUT WRITTEN PERMISSION
(C) STEWART FILMSCREEN CORPORATION 2011

DIMENSIONS ARE INCHES (mm)		DRAWN BY: Engineering	
TOLERANCES: +/- 1/8 IN. (UNLESS OTHERWISE SPECIFIED)		DRAWING TYPE: Typical	
APPROXIMATE SCREEN WEIGHT: 45 LBS		CREATION DATE: 8/18/15	
APPROXIMATE SHIPPING WEIGHT: 98 LBS		MODEL #:	
CINTAC092HEST10W-2-2-2			
CASE COLOR: White		TITLE: CIMA NON-TENSIONED ABOVE CEILING	
SIZE: A	SHEET: 6 OF 6	PART NO.:	REV.:
		0095X	

Stewart FILMSCREEN
1161 W. Sepulveda Blvd., Torrance, CA 90502
Customer Care (800) 762-4999 Fax (310) 326-6870