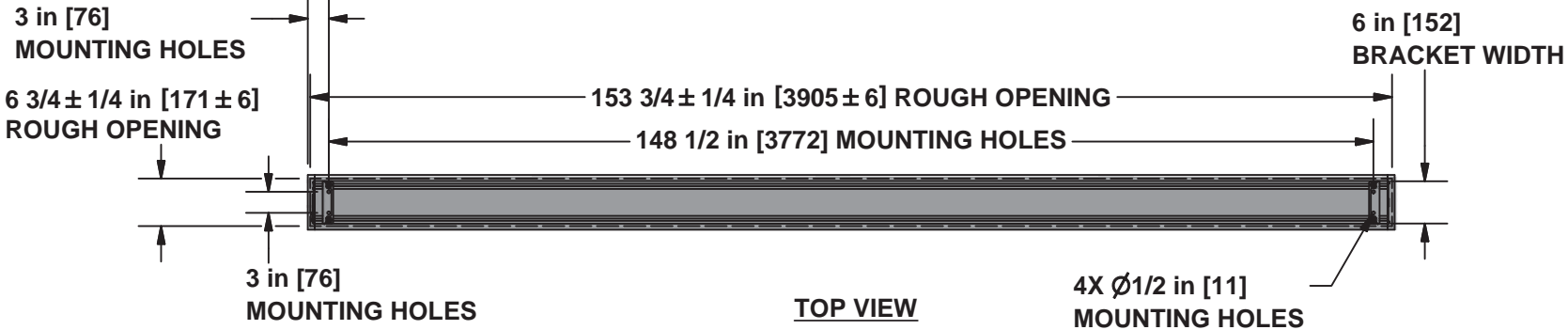


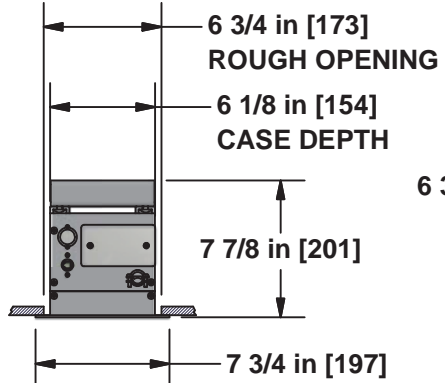
NOTE: DARK COLORS HAVE BEEN LIGHTENED FOR CLARITY PURPOSES

RESTRICTION: The information contained in the proposal is confidential and proprietary to Stewart Filmscreen Corporation, shall not be disclosed beyond the vendor company, and shall not be duplicated, used, or disclosed in whole or in part for any purpose except to evaluate this proposal.

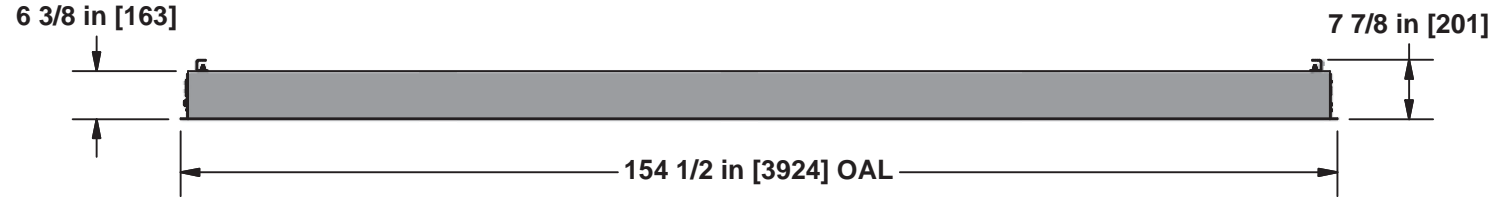
DIMENSIONS ARE Inches [mm]		DRAWN BY:		Stewart FILMSCREEN 1161 W. Sepulveda Blvd., Torrance, CA 90502 Customer Care (800) 762-4999 Fax (310) 326-6870	
TOLERANCES: +/- 1/8 in (UNLESS OTHERWISE SPECIFIED)		Engineering			
APPROXIMATE SCREEN WEIGHT:		DRAWING TYPE:		TITLE CIMA NON-TENSIONED ABOVE CEILING	
70 LBS		Typical			
APPROXIMATE SHIPPING WEIGHT:		CREATION DATE:		PART NO. 0095X	
158 LBS		8/18/15			
MODEL #:		CASE COLOR:		REV.	
CINTAC164DEST10W-2-2-2		White		A 1 OF 6	



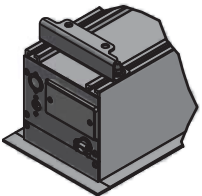
TOP VIEW



**SIDE VIEW
(NOT TO SCALE)**



FRONT VIEW

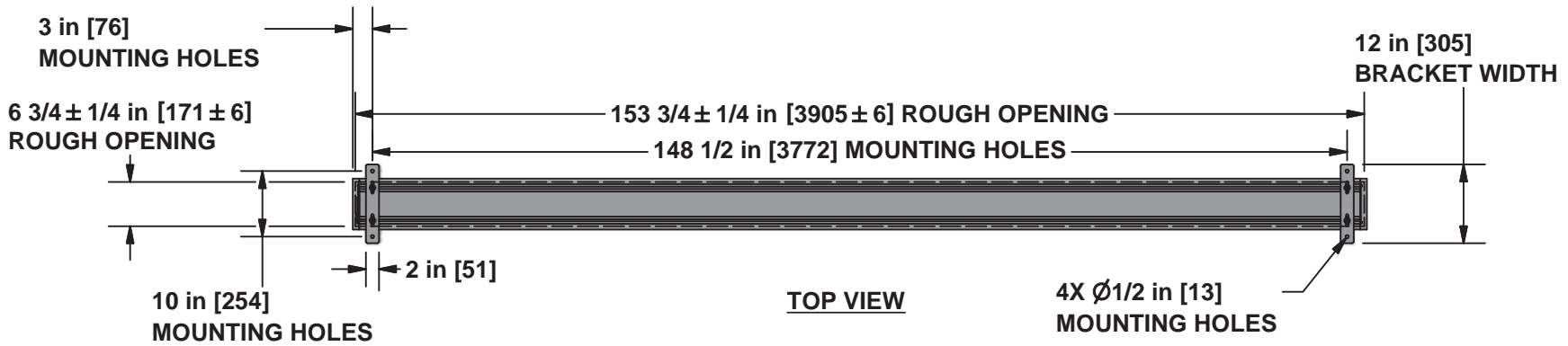


ISOMETRIC VIEW

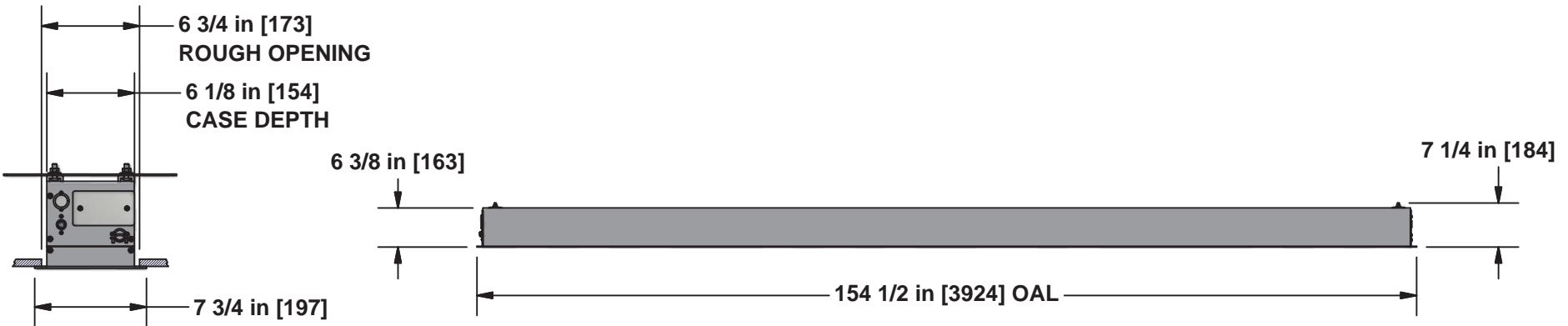
**MOUNTING BRACKET
STANDARD**

DIMENSIONS ARE Inches [mm]		DRAWN BY:		Stewart FILMSCREEN 1161 W. Sepulveda Blvd., Torrance, CA 90502 Customer Care (800) 762-4999 Fax (310) 326-6870	
TOLERANCES: +/- 1/8 in (UNLESS OTHERWISE SPECIFIED)		Engineering			
APPROXIMATE SCREEN WEIGHT: 70 LBS		DRAWING TYPE: Typical		TITLE CIMA NON-TENSIONED ABOVE CEILING	
APPROXIMATE SHIPPING WEIGHT: 158 LBS		CREATION DATE: 8/18/15			
MODEL #: CINTAC164DEST10W-2-2-2				PART NO. 0095X	
CASE COLOR: White		SIZE A	SHEET 2 OF 6	REV.	

RESTRICTION: The information contained in the proposal is confidential and proprietary to Stewart Filmscreen Corporation, shall not be disclosed beyond the vendor company, and shall not be duplicated, used, or disclosed in whole or in part for any purpose except to evaluate this proposal.

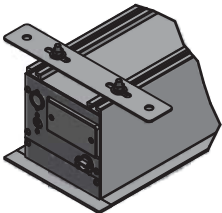


TOP VIEW



FRONT VIEW

SIDE VIEW
(NOT TO SCALE)

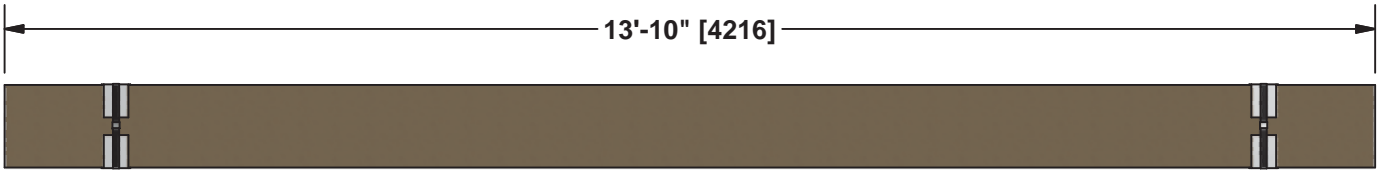


ISOMETRIC VIEW

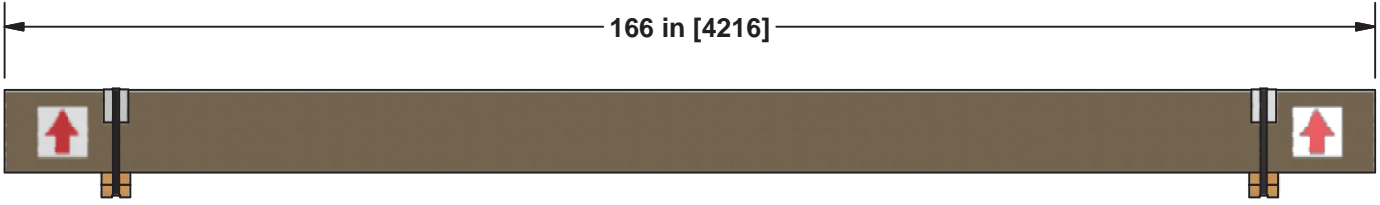
**MOUNTING BRACKET
OPTIONAL**

DIMENSIONS ARE Inches [mm]		DRAWN BY: Engineering		Stewart FILMSCREEN 1161 W. Sepulveda Blvd., Torrance, CA 90502 Customer Care (800) 762-4999 Fax (310) 326-6870	
TOLERANCES: +/- 1/8 in (UNLESS OTHERWISE SPECIFIED)		DRAWING TYPE: Typical			
APPROXIMATE SCREEN WEIGHT: 70 LBS		CREATION DATE: 8/18/15		TITLE CIMA NON-TENSIONED ABOVE CEILING	
APPROXIMATE SHIPPING WEIGHT: 158 LBS		MODEL #: CINTAC164DEST10W-2-2-2		SIZE A	SHEET 3 OF 6
CASE COLOR: White				PART NO. 0095X	REV.

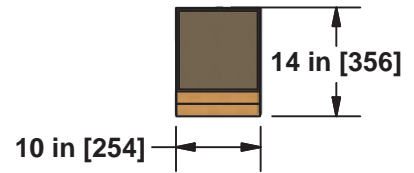
RESTRICTION: The information contained in the proposal is confidential and proprietary to Stewart Filmscreen Corporation, shall not be disclosed beyond the vendor company, and shall not be duplicated, used, or disclosed in whole or in part for any purpose except to evaluate this proposal.



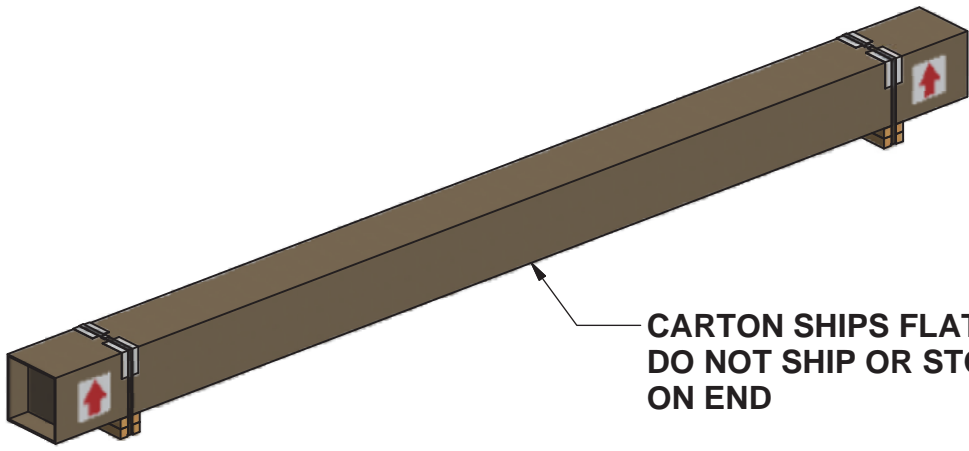
TOP VIEW



FRONT VIEW



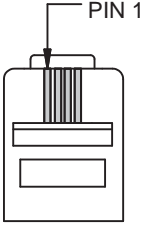
SIDE VIEW



**CARTON SHIPS FLAT
DO NOT SHIP OR STORE
ON END**

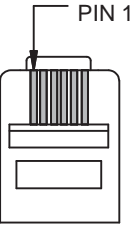
RESTRICTION: The information contained in the proposal is confidential and proprietary to Stewart Filmscreen Corporation, shall not be disclosed beyond the vendor company, and shall not be duplicated, used, or disclosed in whole or in part for any purpose except to evaluate this proposal.

DIMENSIONS ARE Inches [mm]		DRAWN BY: Engineering		Stewart FILMSCREEN 1161 W. Sepulveda Blvd., Torrance, CA 90502 Customer Care (800) 762-4999 Fax (310) 326-6870	
TOLERANCES: +/- 1/8 in (UNLESS OTHERWISE SPECIFIED)		DRAWING TYPE: Typical			
APPROXIMATE SCREEN WEIGHT: 70 LBS		CREATION DATE: 8/18/15		TITLE CIMA NON-TENSIONED ABOVE CEILING	
APPROXIMATE SHIPPING WEIGHT: 158 LBS		MODEL #: CINTAC164DEST10W-2-2-2		SIZE A	SHEET 4 OF 6
CASE COLOR: White				PART NO. 0095X	REV.



4 PIN:

PIN	SIGNAL
1	COMMON
2	LV1
3	LV2
4	STI

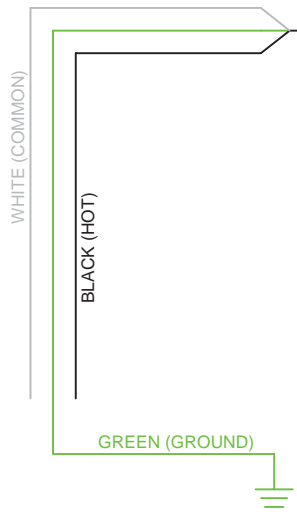


6 PIN:

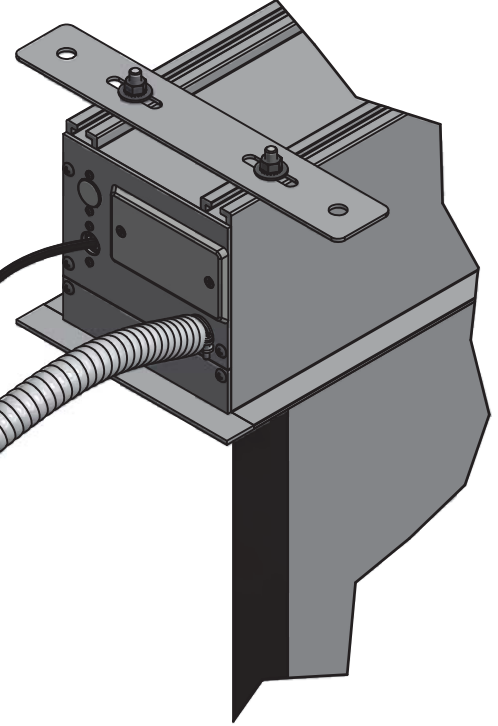
PIN	SIGNAL
1	NOT USED
2	COMMON
3	LV1
4	LV2
5	STI
6	NOT USED

STI INPUT
4 PIN OR 6 PIN
RJ25 CONNECTOR
SEE CHART

POWER CONDUIT

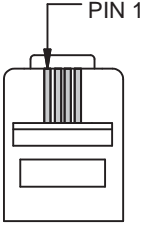


120 VOLT WIRING



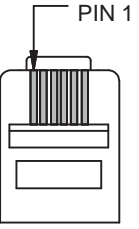
DIMENSIONS ARE Inches [mm]		DRAWN BY: Engineering		Stewart FILMSCREEN 1161 W. Sepulveda Blvd., Torrance, CA 90502 Customer Care (800) 762-4999 Fax (310) 326-6870	
TOLERANCES: +/- 1/8 in (UNLESS OTHERWISE SPECIFIED)		DRAWING TYPE: Typical			
APPROXIMATE SCREEN WEIGHT: 70 LBS		CREATION DATE: 8/18/15		TITLE CIMA NON-TENSIONED ABOVE CEILING	
APPROXIMATE SHIPPING WEIGHT: 158 LBS		MODEL #: CINTAC164DEST10W-2-2-2		REV.	
CASE COLOR: White		SIZE A	SHEET 5 OF 6	PART NO. 0095X	

RESTRICTION: The information contained in the proposal is confidential and proprietary to Stewart Filmscreen Corporation, shall not be disclosed beyond the vendor company, and shall not be duplicated, used, or disclosed in whole or in part for any purpose except to evaluate this proposal.



4 PIN:

PIN	SIGNAL
1	COMMON
2	LV1
3	LV2
4	STI

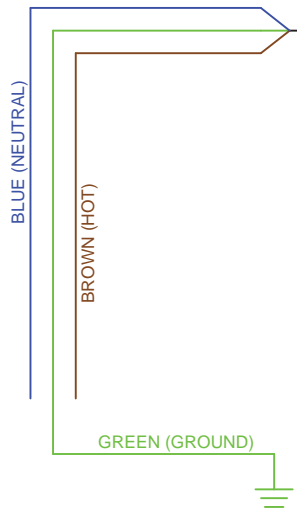


6 PIN:

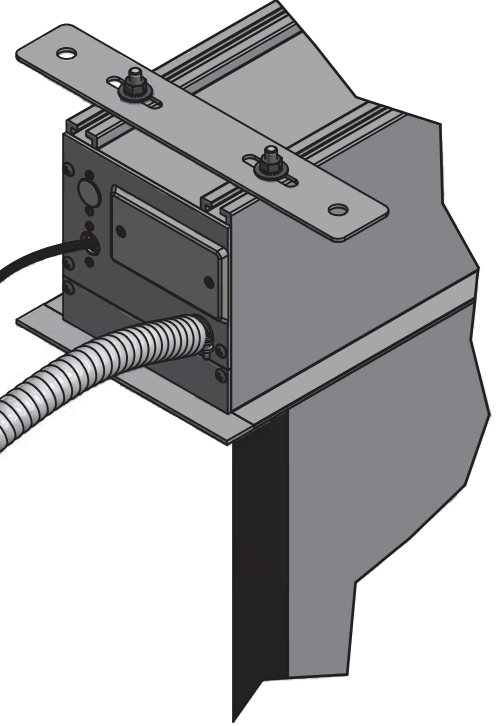
PIN	SIGNAL
1	NOT USED
2	COMMON
3	LV1
4	LV2
5	STI
6	NOT USED

STI INPUT
4 PIN OR 6 PIN
RJ25 CONNECTOR
SEE CHART

POWER CONDUIT



220 VOLT WIRING



DIMENSIONS ARE Inches [mm]		DRAWN BY: Engineering		Stewart FILMSCREEN 1161 W. Sepulveda Blvd., Torrance, CA 90502 Customer Care (800) 762-4999 Fax (310) 326-6870	
TOLERANCES: +/- 1/8 in (UNLESS OTHERWISE SPECIFIED)		DRAWING TYPE: Typical			
APPROXIMATE SCREEN WEIGHT: 70 LBS		CREATION DATE: 8/18/15		TITLE CIMA NON-TENSIONED ABOVE CEILING	
APPROXIMATE SHIPPING WEIGHT: 158 LBS		MODEL #: CINTAC164DEST10W-2-2-2		SIZE A	SHEET 6 OF 6
CASE COLOR: White				PART NO. 0095X	REV.

RESTRICTION: The information contained in the proposal is confidential and proprietary to Stewart Filmscreen Corporation, shall not be disclosed beyond the vendor company, and shall not be duplicated, used, or disclosed in whole or in part for any purpose except to evaluate this proposal.