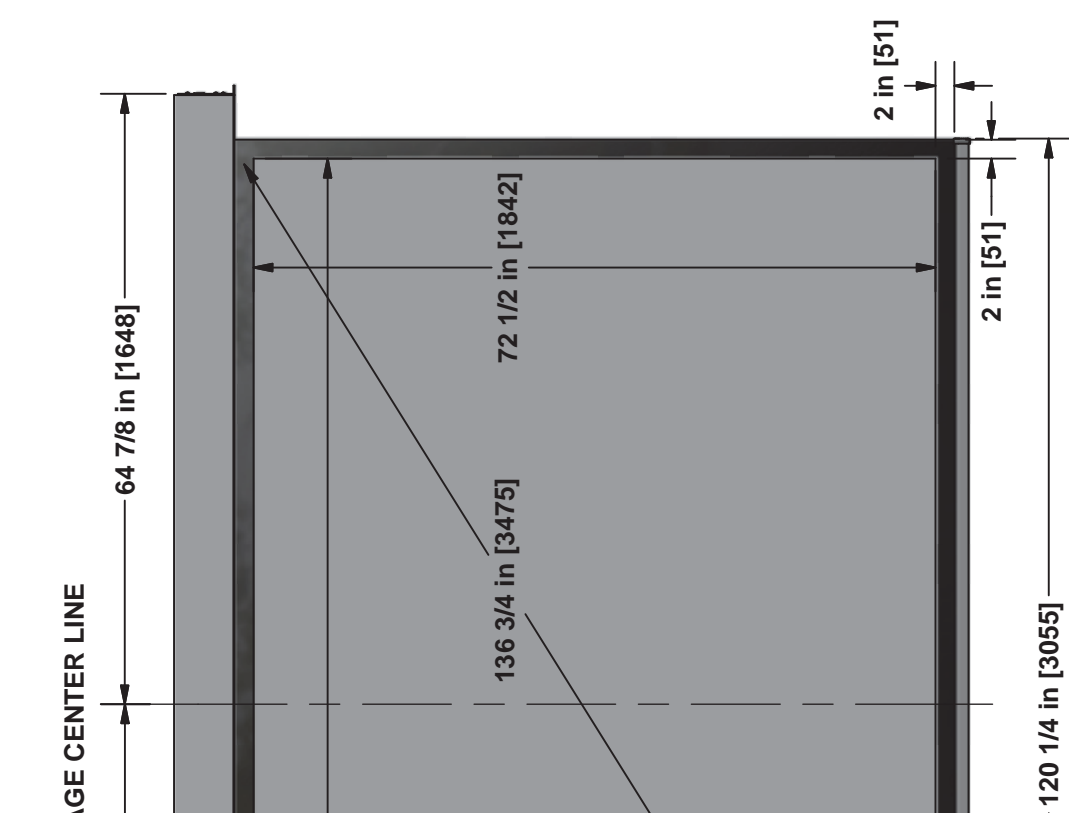
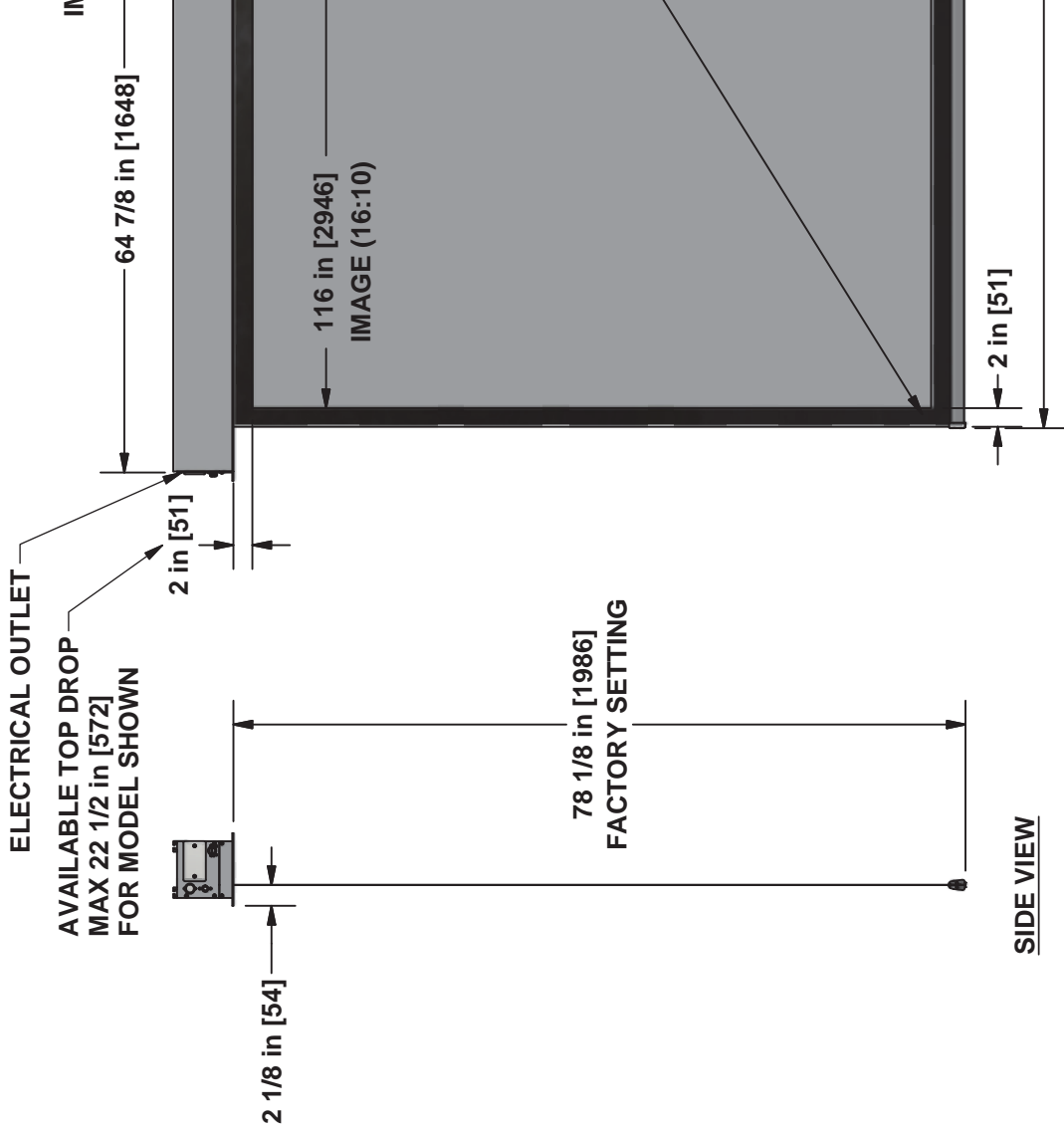


FRONT VIEW/VIEWING SIDE



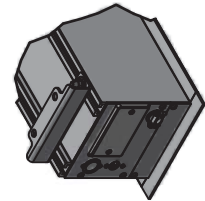
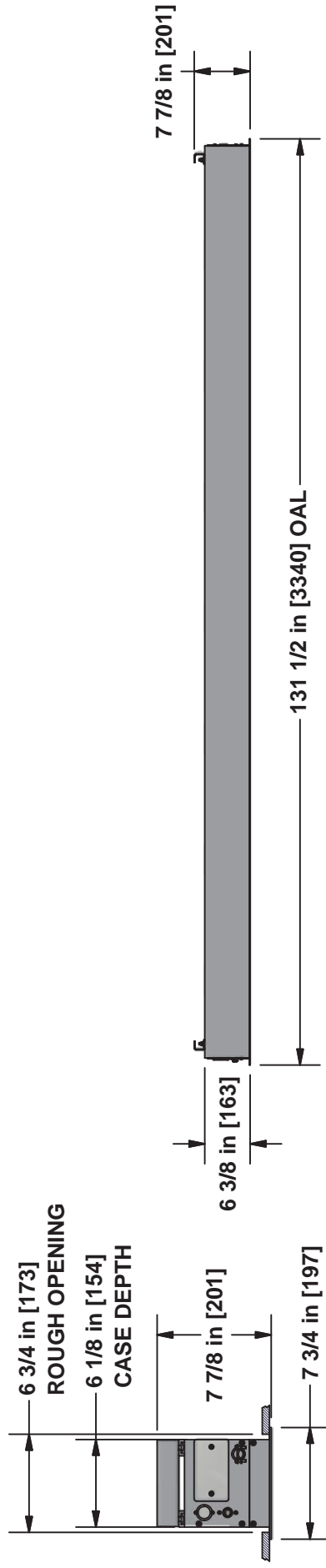
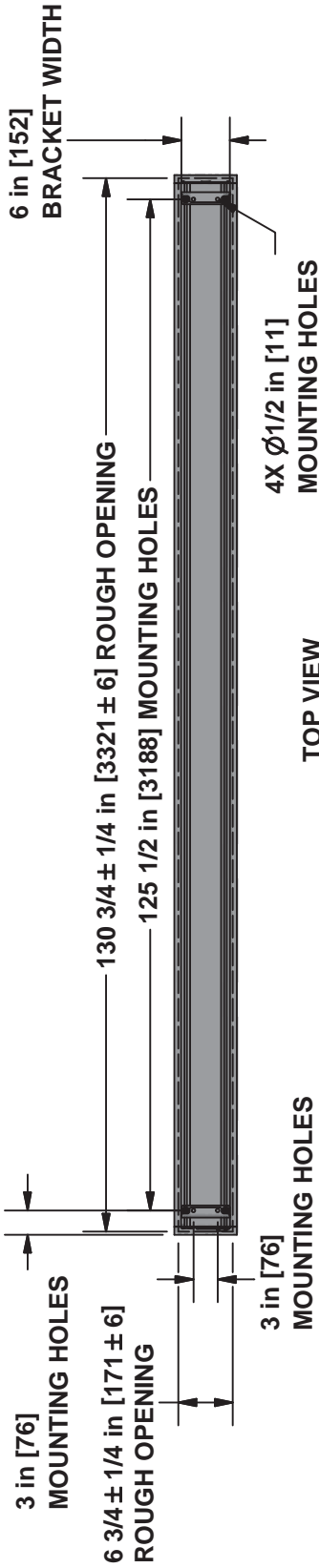
SIDE VIEW



DIMENSIONS ARE Inches (mm)		DRAWN BY: Engineering	
TOLERANCES: +/- 1/8 in (UNLESS OTHERWISE SPECIFIED)		DRAWING TYPE: Typical	
APPROXIMATE SCREEN WEIGHT: 62 LBS		CREATION DATE: 8/18/15	
APPROXIMATE SHIPPING WEIGHT: 134 LBS		MODEL #:	
CASE COLOR: White		CINTAC137DEST10W-2-2-2	
SIZE	SHEET	PART NO.	REV.
A	1 OF 6	0095X	
TITLE			
Stewart FILM SCREEN 1161 W. Sepulveda Blvd., Torrance, CA 90502 Customer Care (800) 762-4999 Fax (310) 326-6870			
CIMA NON-TENSIONED ABOVE CEILING			

NOTE: DARK COLORS HAVE BEEN LIGHTENED FOR CLARITY PURPOSES

RESTRICTION: The information contained in the proposal is confidential and proprietary to Stewart Filmscreen Corporation, shall not be disclosed beyond the vendor company, and shall not be duplicated, used, or disclosed in whole or in part for any purpose except to evaluate this proposal.

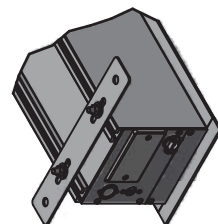
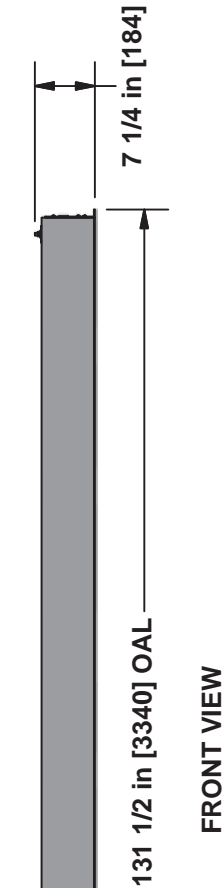
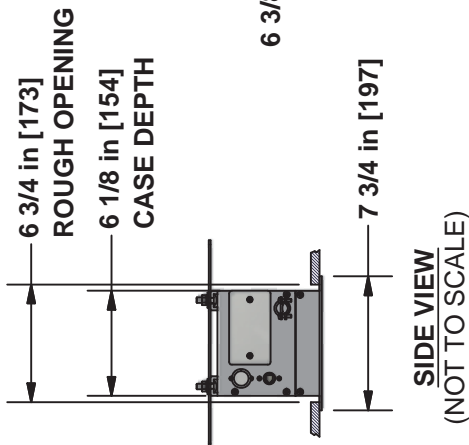
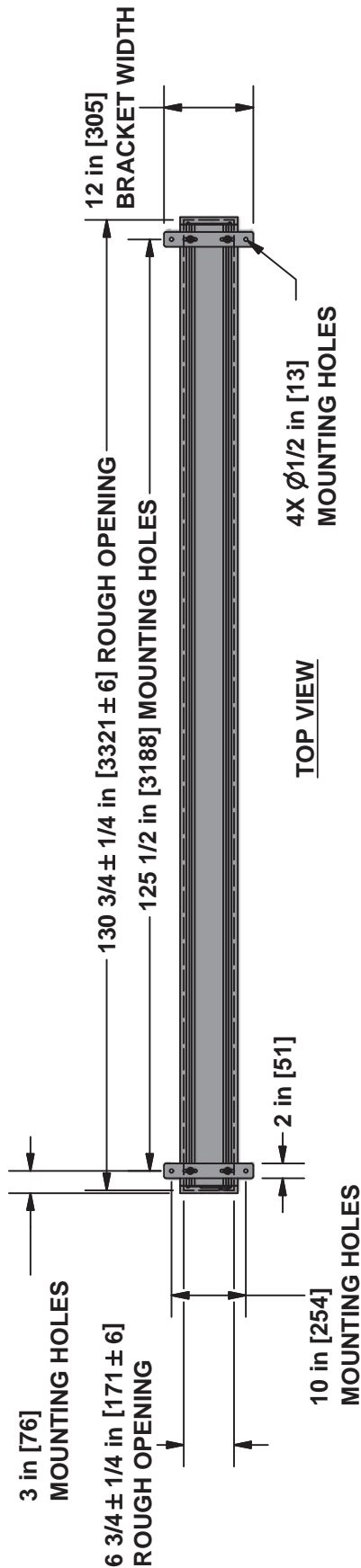


ISOMETRIC VIEW

**MOUNTING BRACKET
STANDARD**

DIMENSIONS ARE INCHES (mm)		DRAWN BY: Engineering	
TOLERANCES: +/- 1/8 in (UNLESS OTHERWISE SPECIFIED)		DRAWING TYPE: Typical	
APPROXIMATE SCREEN WEIGHT: 62 LBS		CREATION DATE: 8/18/15	
APPROXIMATE SHIPPING WEIGHT: 134 LBS		MODEL #: CINTAC137DEST10W-2-2	
CASE COLOR: White		SIZE: A	SHEET: 2 OF 6
TITLE: CIMA NON-TENSIONED ABOVE CEILING		REV: 0095X	
Stewart FILM SCREEN 1161 W. Sepulveda Blvd., Torrance, CA 90502 Customer Care (800) 762-4999 Fax (310) 326-6870			

RESTRICTION: The information contained in the proposal is confidential and proprietary to Stewart Filmscreen Corporation, shall not be disclosed beyond the vendor company, and shall not be duplicated, used, or disclosed in whole or in part for any purpose except to evaluate this proposal.



ISOMETRIC VIEW

MOUNTING BRACKET
OPTIONAL

DIMENSIONS ARE INCHES (mm)		DRAWN BY: Engineering	
TOLERANCES: +/- 1/8 in (UNLESS OTHERWISE SPECIFIED)		DRAWING TYPE: Typical	
APPROXIMATE SCREEN WEIGHT: 62 LBS		CREATION DATE: 8/18/15	
APPROXIMATE SHIPPING WEIGHT: 134 LBS		MODEL #:	
CASE COLOR: White		CINTAC137DEST10W-2-2	
SIZE	SHEET	PART NO.	REV.
A	3 OF 6	0095X	
TITLE: CIMA NON-TENSIONED ABOVE CEILING			
DRAWING NO.: 1161 W. Sepulveda Blvd., Torrance, CA 90502			
Customer Care (800) 762-4999 Fax (310) 326-6870			

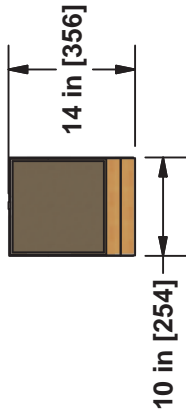
RESTRICTION: The information contained in the proposal is confidential and proprietary to Stewart Filmscreen Corporation, shall not be disclosed beyond the vendor company, and shall not be duplicated, used, or disclosed in whole or in part for any purpose except to evaluate this proposal.



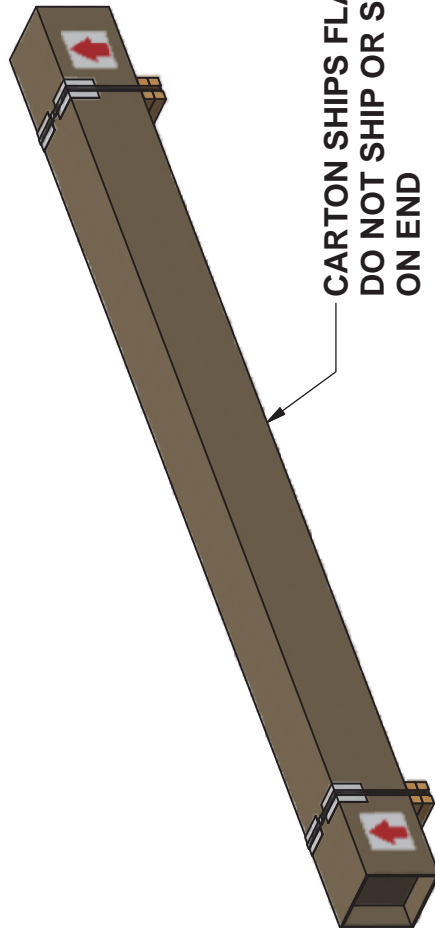
TOP VIEW



FRONT VIEW



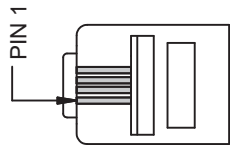
SIDE VIEW



**CARTON SHIPS FLAT
DO NOT SHIP OR STORE
ON END**

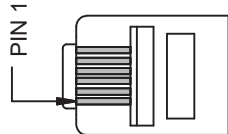
DIMENSIONS ARE INCHES (mm)		DRAWN BY: Engineering	
TOLERANCES: +/- 1/8 IN (UNLESS OTHERWISE SPECIFIED)		DRAWING TYPE: Typical	
APPROXIMATE SCREEN WEIGHT: 62 LBS	APPROXIMATE SHIPPING WEIGHT: 134 LBS	CREATION DATE: 8/18/15	TITLE: CIMA NON-TENSIONED ABOVE CEILING
MODEL #: CINTAC137DEST10W-2-2-2		SIZE: A	SHEET: 4 OF 6
CASE COLOR: White		PART NO.:	REV.:
			0095X
Stewart FILM SCREEN 1161 W. Sepulveda Blvd., Torrance, CA 90502 Customer Care (800) 762-4999 Fax (310) 326-6870			

RESTRICTION: The information contained in the proposal is confidential and proprietary to Stewart Filmscreen Corporation, shall not be disclosed beyond the vendor company, and shall not be duplicated, used, or disclosed in whole or in part for any purpose except to evaluate this proposal.



4 PIN:

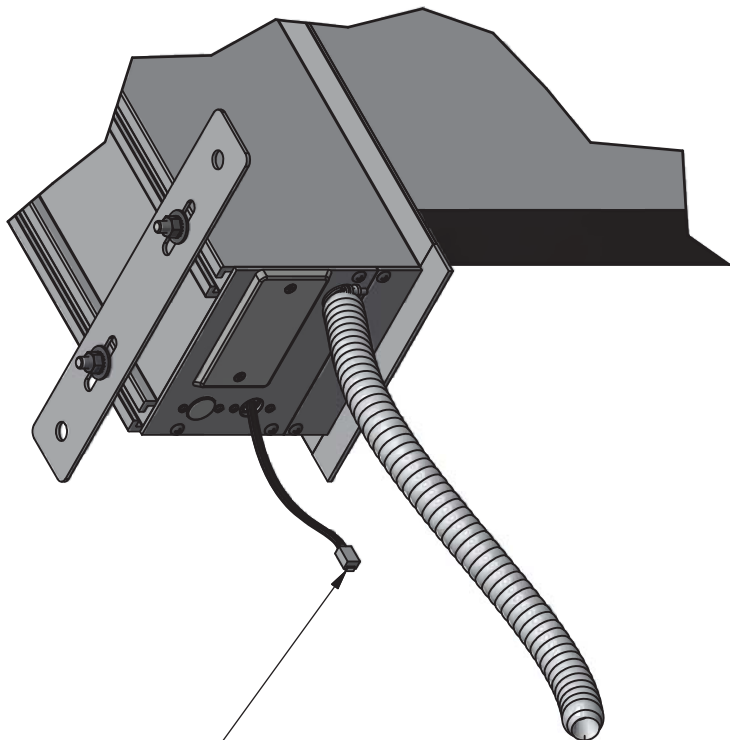
PIN	SIGNAL
1	COMMON
2	LV1
3	LV2
4	STI



6 PIN:

PIN	SIGNAL
1	NOT USED
2	COMMON
3	LV1
4	LV2
5	STI
6	NOT USED

STI INPUT
4 PIN OR 6 PIN
RJ25 CONNECTOR
SEE CHART



BLACK (HOT)

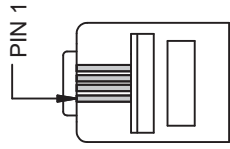
WHITE (COMMON)

GREEN (GROUND)

120 VOLT WIRING

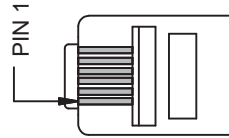
DIMENSIONS ARE INCHES (mm)		DRAWN BY: Engineering	
TOLERANCES: +/- 1/8 IN. (UNLESS OTHERWISE SPECIFIED)		DRAWING TYPE: Typical	
APPROXIMATE SCREEN WEIGHT: 62 LBS		CREATION DATE: 8/18/15	
APPROXIMATE SHIPPING WEIGHT: 134 LBS		MODEL #:	
CINTAC137DEST10W-2-2-2		CASE COLOR: White	
SIZE	SHEET	PART NO.	REV.
A	5 OF 6	0095X	
TITLE			
Stewart FILM SCREEN 1161 W. Sepulveda Blvd., Torrance, CA 90502 Customer Care (800) 762-4999 Fax (310) 326-6870			
CIMA NON-TENSIONED ABOVE CEILING			

RESTRICTION: The information contained in the proposal is confidential and proprietary to Stewart Filmscreen Corporation, shall not be disclosed beyond the vendor company, and shall not be duplicated, used, or disclosed in whole or in part for any purpose except to evaluate this proposal.



4 PIN:

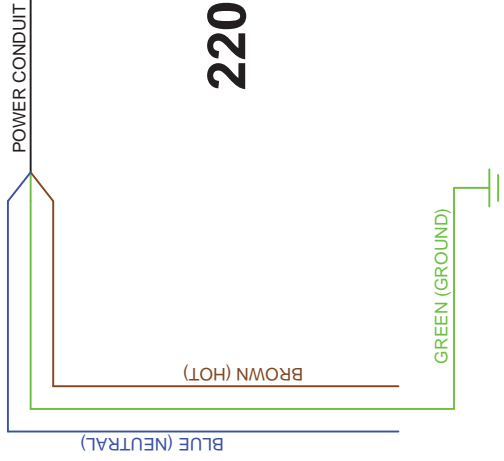
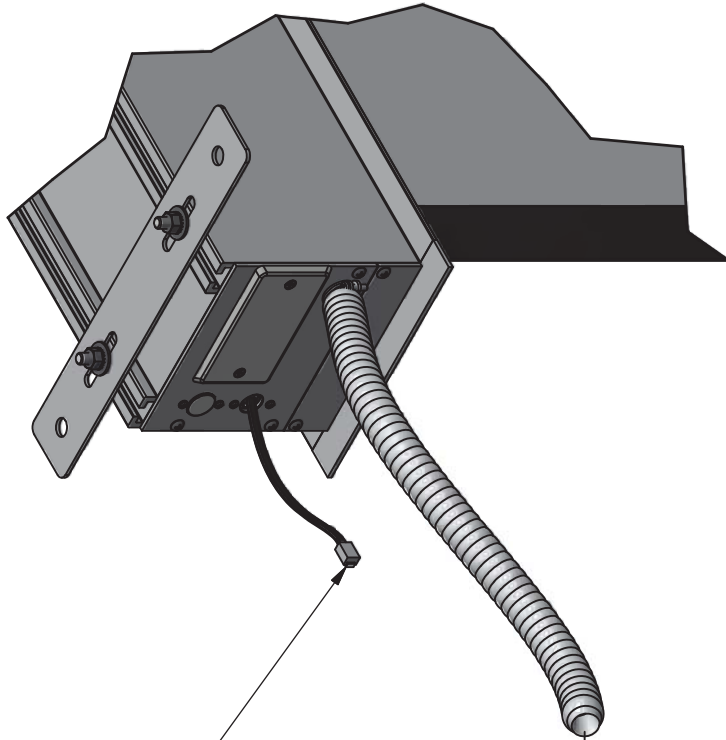
PIN	SIGNAL
1	COMMON
2	LV1
3	LV2
4	STI



6 PIN:

PIN	SIGNAL
1	NOT USED
2	COMMON
3	LV1
4	LV2
5	STI
6	NOT USED

STI INPUT
4 PIN OR 6 PIN
RJ25 CONNECTOR
SEE CHART



220 VOLT WIRING

RESTRICTION: The information contained in the proposal is confidential and proprietary to Stewart Filmscreen Corporation, shall not be disclosed beyond the vendor company, and shall not be duplicated, used, or disclosed in whole or in part for any purpose except to evaluate this proposal.

Z:\Inventor Reference Folder\0095X CIMA NT AC Typical\0095X CIMA NT AC Typical.idw

THIS DOCUMENT IS PROPRIETARY PROPERTY OF STEWART FILMSCREEN CORPORATION AND SHALL NOT BE DUPLICATED OR DISCLOSED WITHOUT WRITTEN PERMISSION
(C) STEWART FILMSCREEN CORPORATION 2011

DIMENSIONS ARE INCHES (mm)		DRAWN BY: Engineering	
TOLERANCES: +/- 1/8 IN. (UNLESS OTHERWISE SPECIFIED)		DRAWING TYPE: Typical	
APPROXIMATE SCREEN WEIGHT: 62 LBS		CREATION DATE: 8/18/15	
APPROXIMATE SHIPPING WEIGHT: 134 LBS		MODEL #:	
CINTAC137DEST10W-2-2-2			
CASE COLOR: White		SIZE A	SHEET 6 OF 6
TITLE CIMA NON-TENSIONED ABOVE CEILING		PART NO. 0095X	REV.
Stewart FILMSCREEN 1161 W. Sepulveda Blvd., Torrance, CA 90502 Customer Care (800) 762-4999 Fax (310) 326-6870			