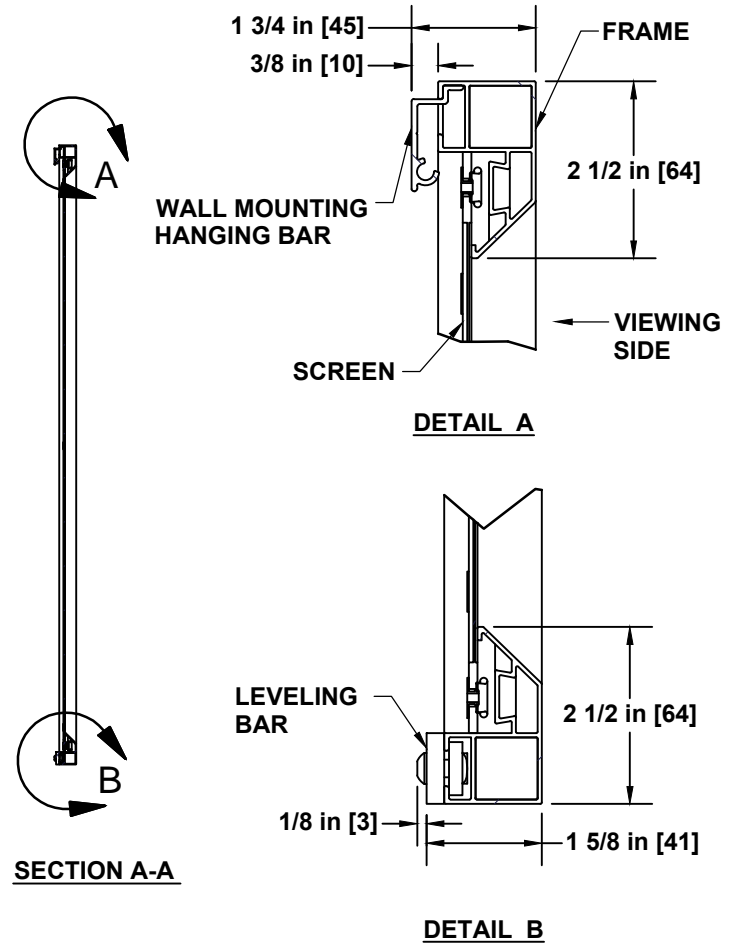
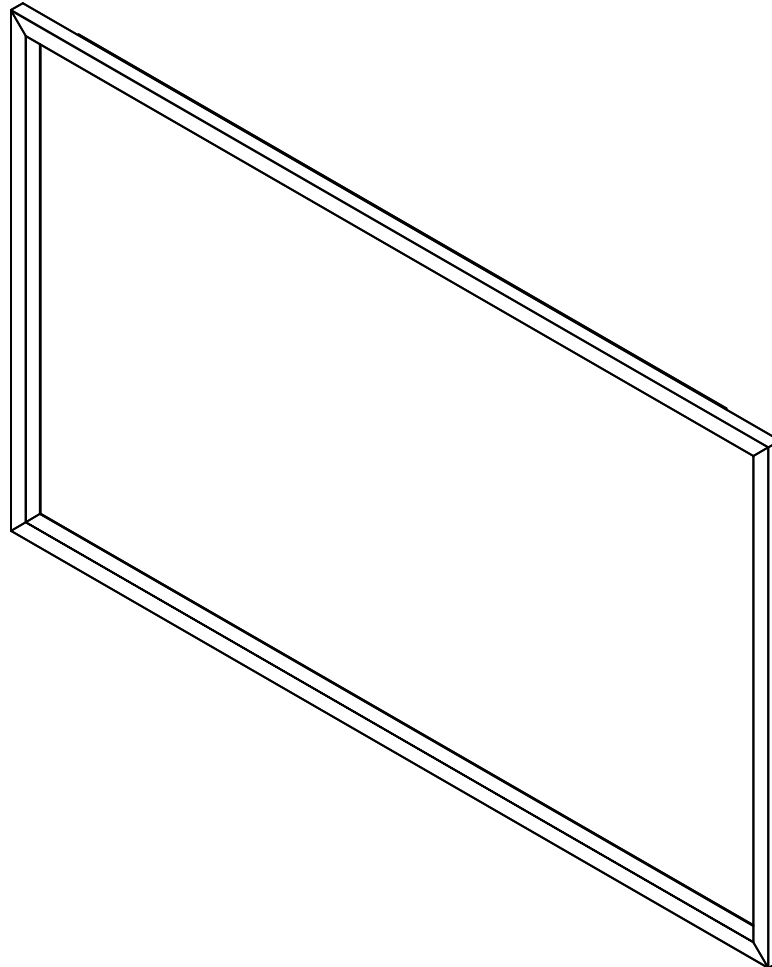
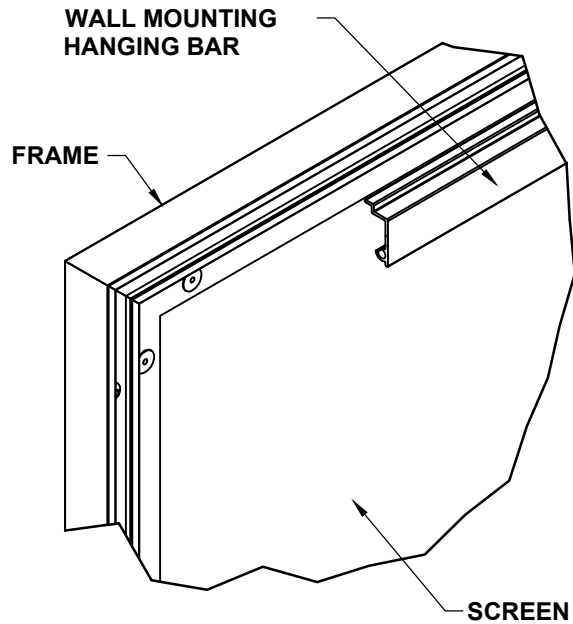


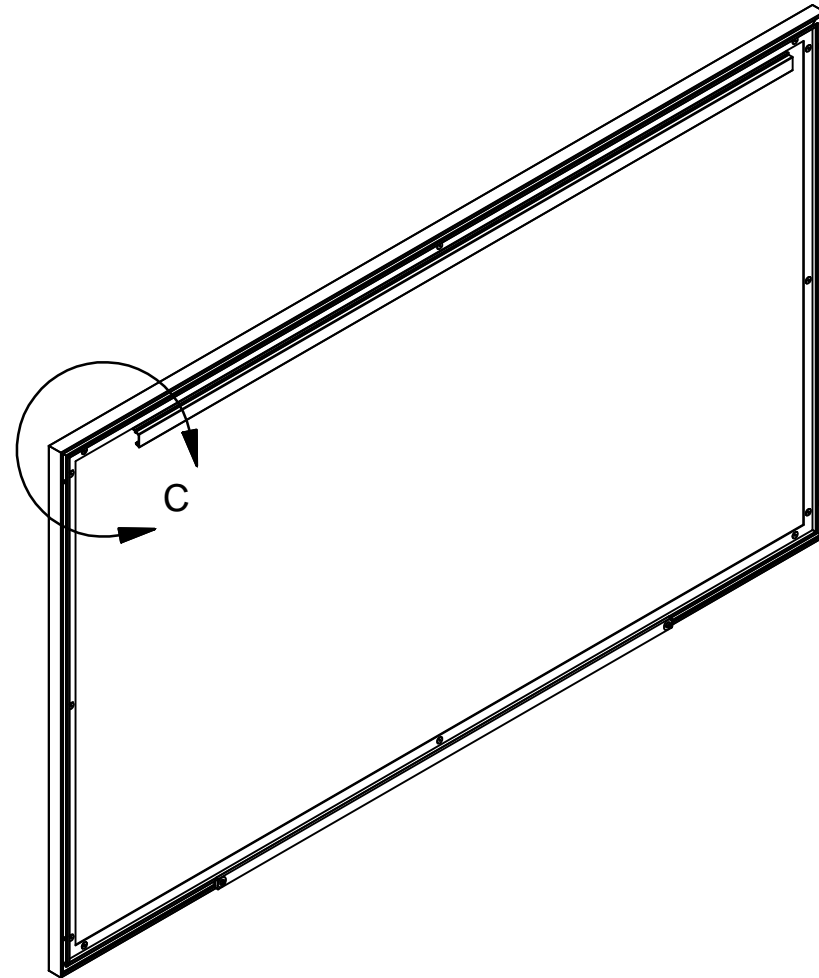
| | | | | | | | |
|--|--------------------------------|------------------------------------|------------------------------|-----------------------------|---------------------------|---------------------------------------|---|
| MODEL DESCRIPTION CIMA FIXED FRAME | MODEL # CIF092HTIBWX | SCREEN MATERIAL: TIBURON | FRAME COLOR: VELUX | BATTEN COLOR: N/A | MOUNTING: WALL | APPROXIMATE WEIGHT: 30 LBS. | RESTRICTION: The information contained in the proposal is confidential and proprietary to Stewart Filmscreen Corporation, shall not be disclosed beyond the client company, and shall not be duplicated, used, or disclosed in whole or in part for any purpose except to evaluate this proposal. |
| CUSTOMER ACCEPTANCE: | DATE: | DRAWING DATE: 8/31/2012 | DRAWN BY: J. LAUB | SHEET: 1 OF 3 | CONTROL(S): N/A | REV: NC | |



| | | | | | | | |
|--|--------------------------------|------------------------------------|------------------------------|-----------------------------|---------------------------|---------------------------------------|---|
| MODEL DESCRIPTION CIMA FIXED FRAME | MODEL # CIF092HTIBWX | SCREEN MATERIAL: TIBURON | FRAME COLOR: VELUX | BATTEN COLOR: N/A | MOUNTING: WALL | APPROXIMATE WEIGHT: 30 LBS. | RESTRICTION: The information contained in the proposal is confidential and proprietary to Stewart Filmscreen Corporation, shall not be disclosed beyond the client company, and shall not be duplicated, used, or disclosed in whole or in part for any purpose except to evaluate this proposal. |
| CUSTOMER ACCEPTANCE: | DATE: | DRAWING DATE: 8/31/2012 | DRAWN BY: J. LAUB | SHEET: 2 OF 3 | CONTROL(s): N/A | REV: NC | |



DETAIL C



| | | | | | | | |
|--|--------------------------------|------------------------------------|------------------------------|-----------------------------|---------------------------|---------------------------------------|---|
| MODEL DESCRIPTION CIMA FIXED FRAME | MODEL # CIF092HTIBWX | SCREEN MATERIAL: TIBURON | FRAME COLOR: VELUX | BATTEN COLOR: N/A | MOUNTING: WALL | APPROXIMATE WEIGHT: 30 LBS. | RESTRICTION: The information contained in the proposal is confidential and proprietary to Stewart Filmscreen Corporation, shall not be disclosed beyond the client company, and shall not be duplicated, used, or disclosed in whole or in part for any purpose except to evaluate this proposal. |
| CUSTOMER ACCEPTANCE: | DATE: | DRAWING DATE: 8/31/2012 | DRAWN BY: J. LAUB | SHEET: 3 OF 3 | CONTROL(s): N/A | REV: NC | |