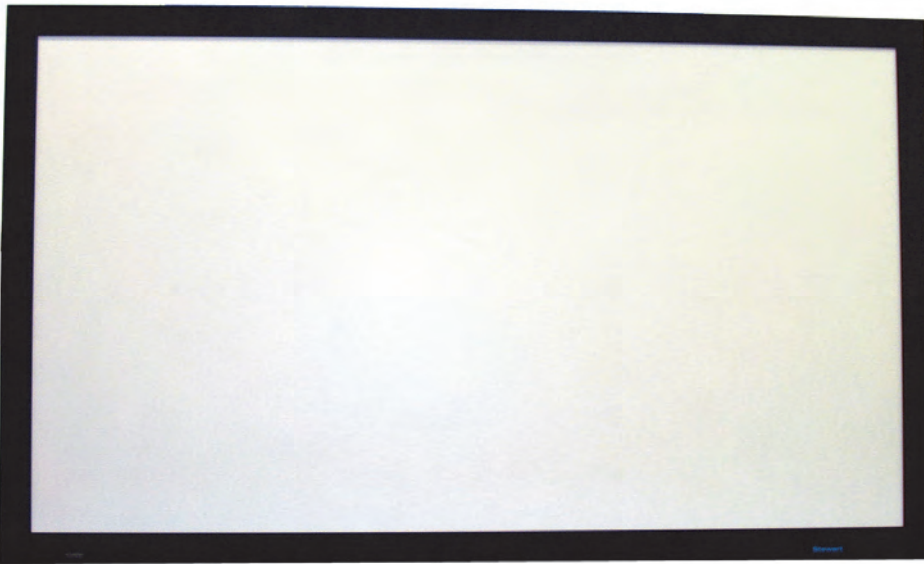


Luxus Deluxe Wallscreen

Owner's Manual

- EZ Mount Bracket System
- Wall Mount Boards
- Stage Fly (Hanging) Mount
- T-Stand (Self-Supporting)
- Aperture Mount



SWS-0517

TO THE INSTALLER: BE SURE TO LEAVE THIS MANUAL WITH THE OWNER.
INCLUDES: MESSAGE TO THE OWNER, ASSEMBLY, INSTALLATION/MOUNTING, & MAINTENANCE INSTRUCTIONS

Printed in U.S.A.

© 2017 Stewart Filmscreen Corporation

Stewart Filmscreen reserves the right to make changes to the product specified in this document. Sizes and specifications subject to change without notice at Manufacturer's discretion. From time to time, this document is updated. Current versions of documentation are posted on the Stewart Filmscreen website at:

www.stewartfilmscreen.com

Luxus Deluxe Wallscreen

Owner's Manual

Contents

| | |
|--|-------|
| To the Owner | 4 |
| Preparing the Installation | 5 |
| Assembling the Frame | 6 |
| Mounting the Frame | 7-13 |
| EZ Mount Bracket System | 7-8 |
| Wall Mount Boards..... | 9-10 |
| Stage Fly (Hanging) Mount | 11 |
| T-Stand (Self-Supporting) | 12 |
| Aperture Mount | 13 |
| Attaching the Screen to the Frame..... | 14-15 |
| Caring for & Cleaning the Screen | 16 |
| Product Warranty | 17 |
| Maintenance Notes..... | 18-19 |

TO THE OWNER

Congratulations on your purchase of one of the finest optical viewing screens available anywhere in the world!

Please take a moment to review this manual, it will help ensure you many years of trouble-free service from your new Stewart Filmscreen product.

About the Luxus Deluxe Wallscreen

Your Luxus Deluxe Wallscreen fixed frame supports virtually all projection applications. The frame acts as a projection overscan border. The VeLux finish is designed to absorb any overscanning.

The Luxus Deluxe Wallscreen features angled corners and a beveled edge that bring the image area closer to the frame.

The Quick Snap features snaps and brackets that move on the frame to allow for adjustments.

Rear projection is available as an option.

The standard mount is a wall mount with the EZ Mount Bracket System; other options include Wall Mount Boards, Stage Fly (Hanging) Mount, T-Stand (Self-Supporting), and Aperture Mount.

Using this Manual for Installation

If you are using this manual to install the Luxus Deluxe Wallscreen, you should be aware that it describes procedures for several types of mounts. You must refer to the section for the type of mounting system you are utilizing. In addition, there are general instructions for attaching the screen to the frame that are provided in a separate section. This procedure is to be performed at a specific step in the overall sequence.

For the instructions related to your specific mount type, refer to the appropriate page:

- ◆ EZ Mount Bracket System
- ◆ Wall Mount Boards
- ◆ Stage Fly (Hanging) Mount
- ◆ T-Stand (Self-Supporting)
- ◆ Aperture Mount

At the designated point in the installation, you will need to refer to the general instructions for **attaching the screen** to the frame.

PREPARING THE INSTALLATION

Before proceeding with the installation of this screen, take time to thoroughly read and understand these installation instructions.

Preparation

Specifications regarding the individual screen dimensions, weight, etc. are provided by the factory when the unit is ordered.

Before beginning the installation:

- ◆ Make sure there is a clean surface on which to unroll the screen and assemble the frame.
- ◆ Check the size and weight of the screen to be installed so that you can plan for the number of people required for installation. You need at least two people to mount the smaller screens; more are needed for larger, heavier screens.

You will need:

- ◆ Lint-free, clean cloth gloves for handling the screen
- ◆ Ladders for the personnel supporting the screen during the mounting process
- ◆ A level
- ◆ Fasteners appropriate for the surface on which the screen is being mounted
- ◆ A drill
- ◆ Tools for tightening fasteners

Note: Bolts and other fasteners for the screen are standard gauge and sizes used in the U.S., regardless of where they will be installed. For this reason, the sizes are expressed in inches rather than metric measurements.

Unpacking

Be sure to unpack carefully in a clean area. Use special care when handling the screen so that it does not become soiled or damaged. If you plan to repack your screen and hardware for transportation to another location, you may wish to photograph or make a note of how it was packed. Keep the packing material.

Caution: Do not stand on the screen tube or store it on its end. This will cause screen damage. If you are not going to install the screen immediately, make sure it remains horizontal during storage.

FRAME ASSEMBLY INSTRUCTIONS

1. Connect the frame members by matching the colored, numbered dots on the ends of the members.
2. Secure the frame members with the supplied 5/16-18 x 1/2" hex head bolts.

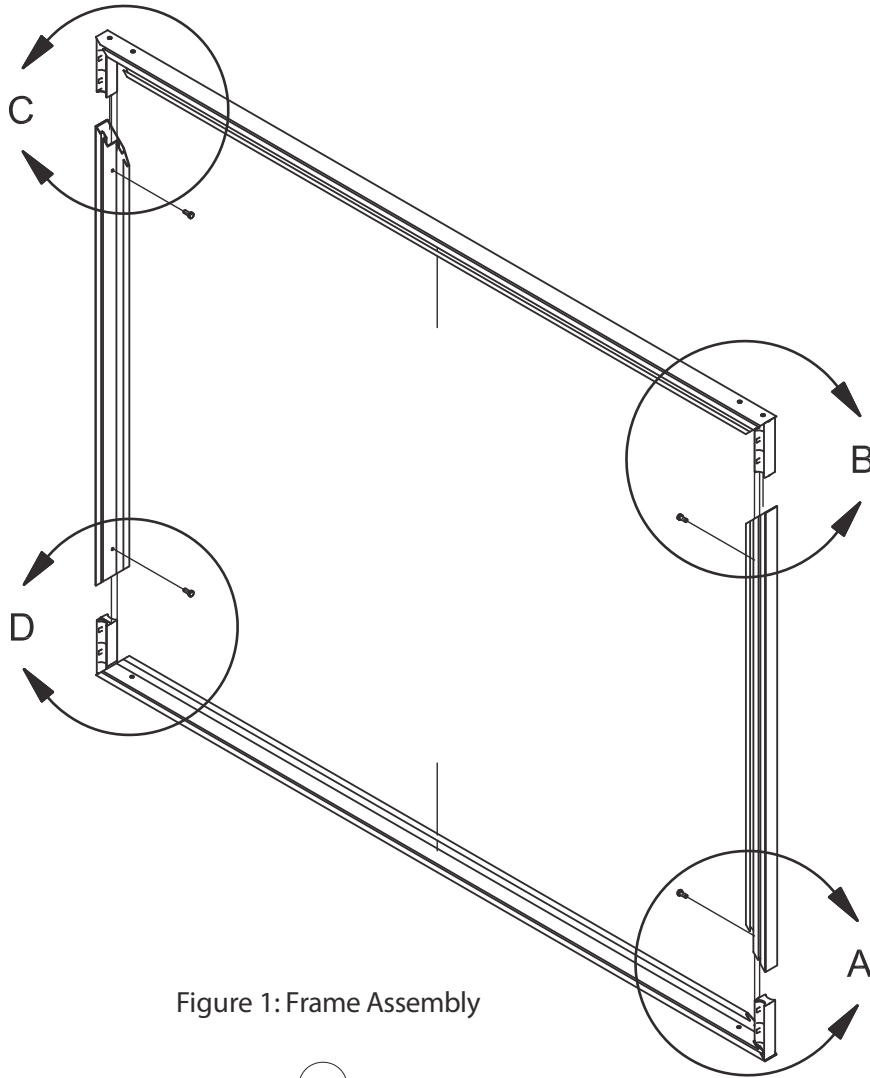
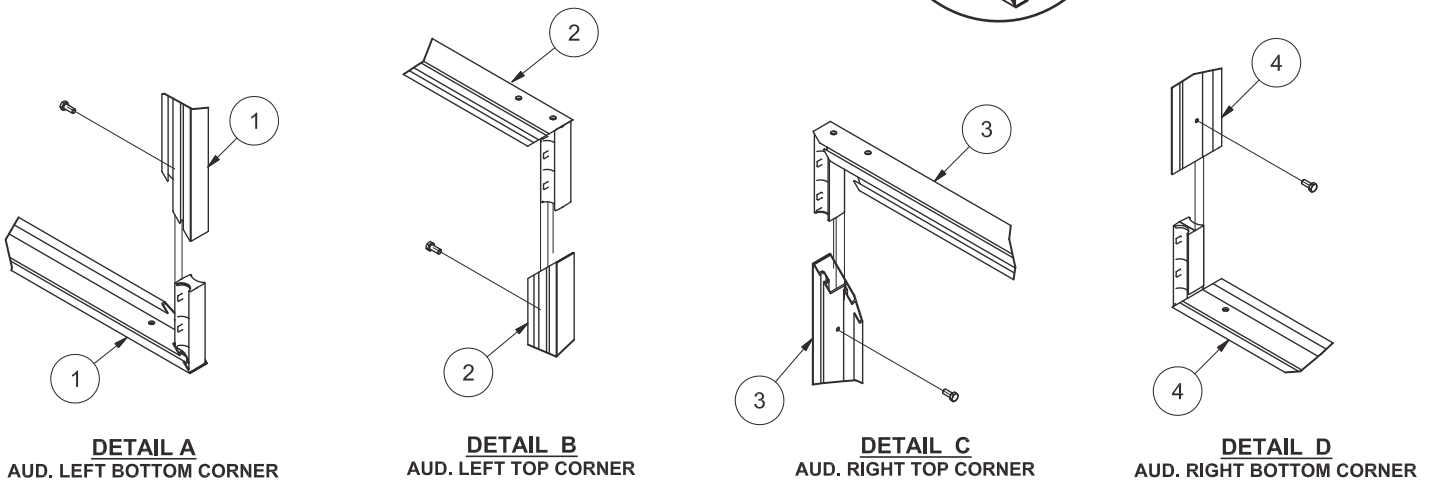


Figure 1: Frame Assembly



DETAIL A
AUD. LEFT BOTTOM CORNER

DETAIL B
AUD. LEFT TOP CORNER

DETAIL C
AUD. RIGHT TOP CORNER

DETAIL D
AUD. RIGHT BOTTOM CORNER

EZ MOUNT BRACKET SYSTEM

Professional mounting techniques should be used. Stewart Filmscreen can not be liable for standard or faulty installations.

Caution:

- ◆ **Be careful not to touch or scratch the viewing surface**

To accurately position the frame, you will mount the EZ Mount hanging bar and temporarily hang the frame prior to attaching the screen material. On the bottom of the frame, there are magnets you can slide to line up with steel disks you will align with wall studs. If the wall is not perfectly flat, the force of the magnet may cause the frame to bend. For this reason, shims can be used to place between the wall and the steel pucks so that the frame lays completely flat. The screen should not be attached to the frame at this point. Refer to figures 2-4 on page 8.

1. Identify the location of wall studs where you can securely mount the EZ Mount hanging bar.
2. Use a level to accurately position the EZ Mount hanging bar on the wall.
3. Drill holes through the bar into the studs.
4. Use the provided 2" screws or other appropriate fasteners to secure the EZ Mount hanging bar to the wall studs.

Note: A minimum of three (3) screws are recommended to safely secure the frame.

5. Check to make sure the bar is level.
6. Assemble frame (see page 6).
7. Hang the assembled frame, without the screen attached, on the EZ Mount hanging bar to ensure that it is correctly mounted.
8. Mark on the wall where you will mount the steel pucks to studs that will align with the magnets fastened on the frame.

Note: Find studs that allow the pucks and magnets to be positioned approximately 12" to 24" from the edge of the frame on each side.

9. Remove the frame. Drill into the studs and mount the steel pucks with the provided 2-3/8" screws or other appropriate fasteners. Use shims as needed.
10. Reposition the frame, slide and secure the magnets so that they align with the steel pucks mounted on the wall.
11. Remove the frame and follow the steps for attaching the screen to the frame (see pages 14-15).
12. Your Wallscreen is now ready to hang in its final position. See figures 2-4 on page 8.

EZ MOUNT BRACKET SYSTEM (CONTINUED)

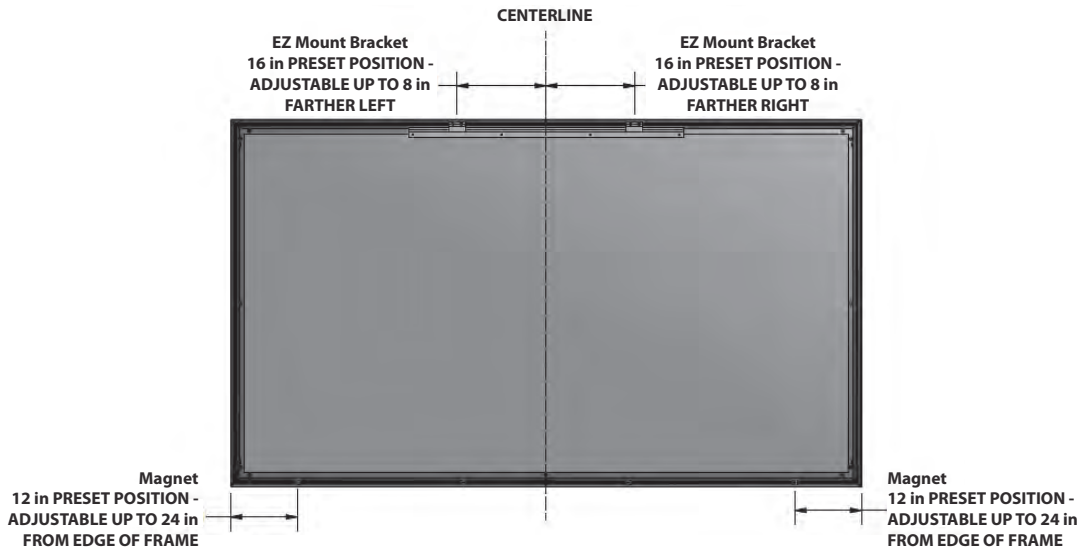


Figure 2: Wallscreen with Fitted EZ Mount Hanging Bar - Rear View

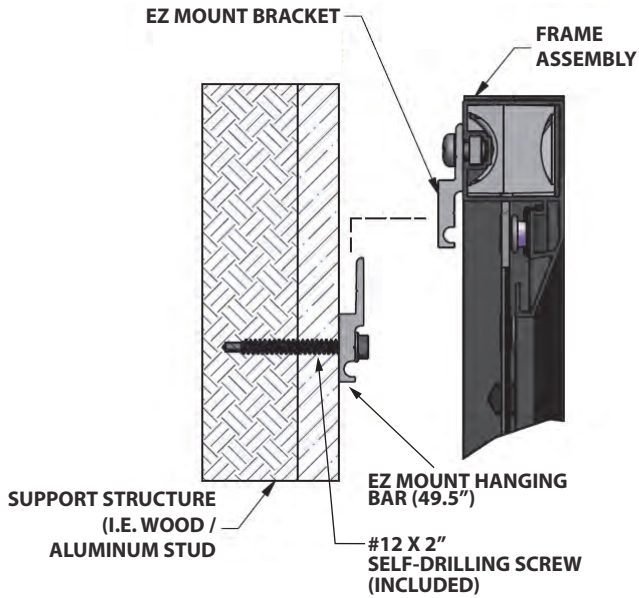


Figure 3: Wall Mounting - Side/Top View

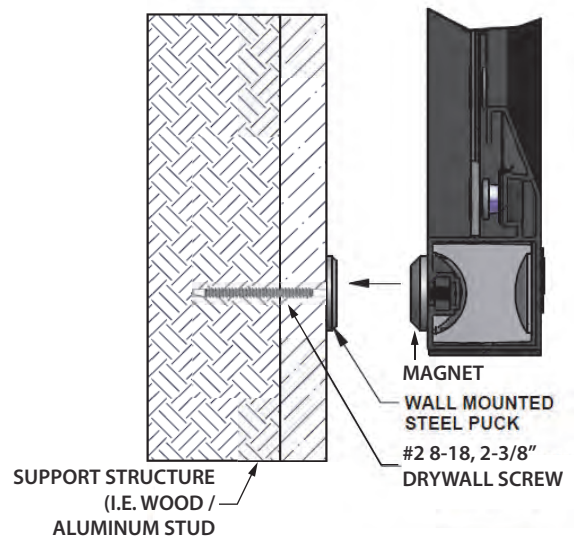


Figure 4: Wall Mounting - Side/Bottom View

WALL MOUNT BOARDS

Professional mounting techniques should be used. Stewart Filmscreen can not be liable for substandard or faulty installations.

1. Assemble frame (see page 6).
2. Lay assembled frame face down on a clean surface.
3. Fit wall boards to the outside of the brackets already attached to the frame.
4. Bolt wall boards to brackets using the supplied 3/4" hex head bolts. (see figure 5).

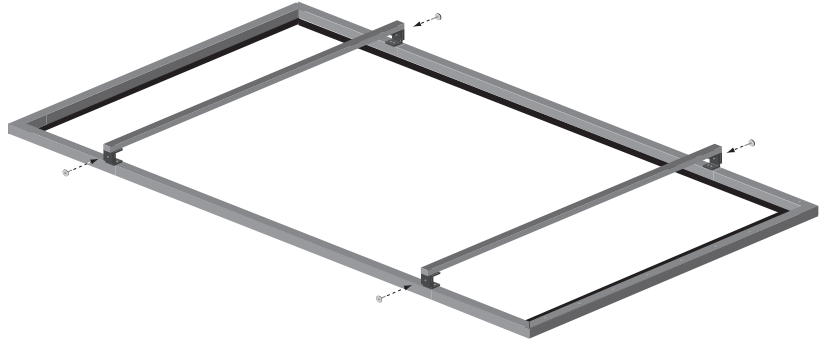


Figure 5: Temporarily Attaching Wall Boards to the Frame

Notes:

Depending on the size of the screen, the number of wall boards may vary. This is a temporary attachment of the wall boards to the frame for the purpose of positioning the frame and brackets on the wall.

5. Without the screen material attached, position the frame and boards on the wall.
6. Make sure the unit is level and plumb. (You may need to use shims between the boards and the wall to achieve vertical plumb.)
7. Align the board holes with wall studs.
8. Mark and drill holes in the wall that align with the board holes.

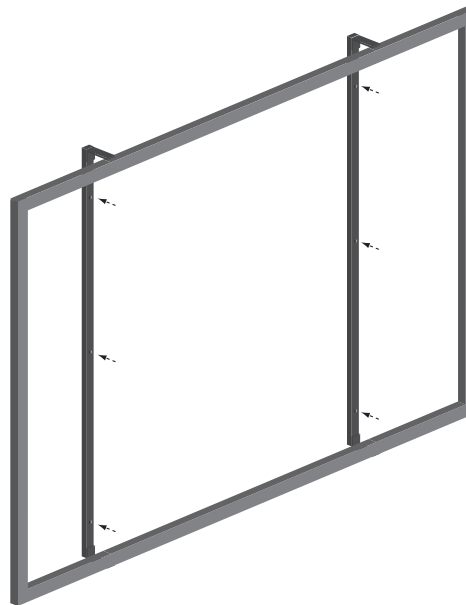


Figure 6: Positioning the Frame and Wall Boards to the Wall

WALL MOUNT BOARDS (CONTINUED)

9. Remove the boards from the frame and attach them to the wall using the provided hardware where applicable or other such appropriate fasteners (lag bolts, wall anchors, molly bolts, wood carriage screws, etc.). Refer to Figure 7.

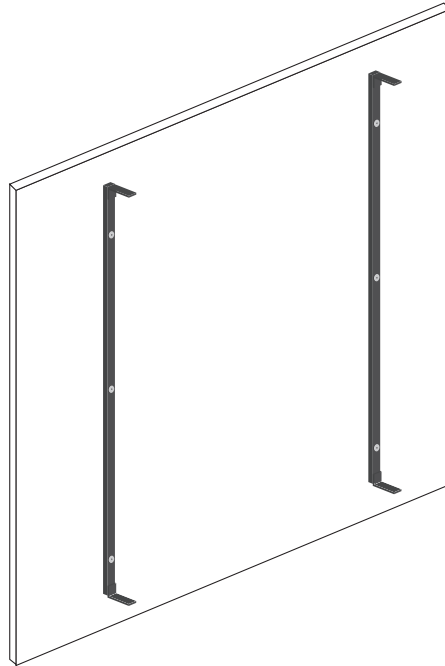


Figure 7: Attaching the Wall Boards to the Wall

10. Attach the screen to the frame.
(see pages 14-15)
11. Attach the frame/screen assembly to the previously mounted wall boards on the wall using the 3/4" hex head bolts.

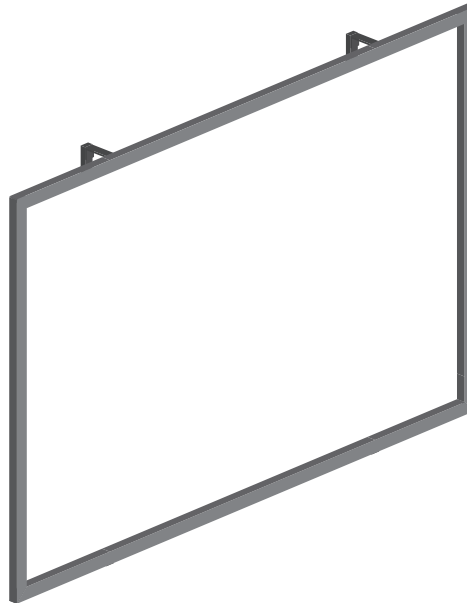


Figure 8: Finished Screen Attached to Wall Boards

Note: Please note that on some custom sized frames the use of additional “back support braces” is required. These vertical support braces assure parallel top and bottom frame member alignment once the screen has been attached to the frame. Do not install the screen / frame without required back braces.

Caution:

- ◆ Be careful not to touch or scratch the viewing surface

STAGE FLY (HANGING) MOUNT

Professional mounting techniques should be used. Stewart Filmscreen can not be liable for standard or faulty installations.

1. Assemble frame (see page 6).
2. Attach the screen to the frame (see pages 14-15).
3. Use the stage fly mount to suspend the screen. Eyebolts are already secured to the frame making your Wallscreen ready for installation to an appropriate surface.

Note: In most cases, a false ceiling is not intended to support the weight of a Wallscreen. Contact a Stewart representative for more information.

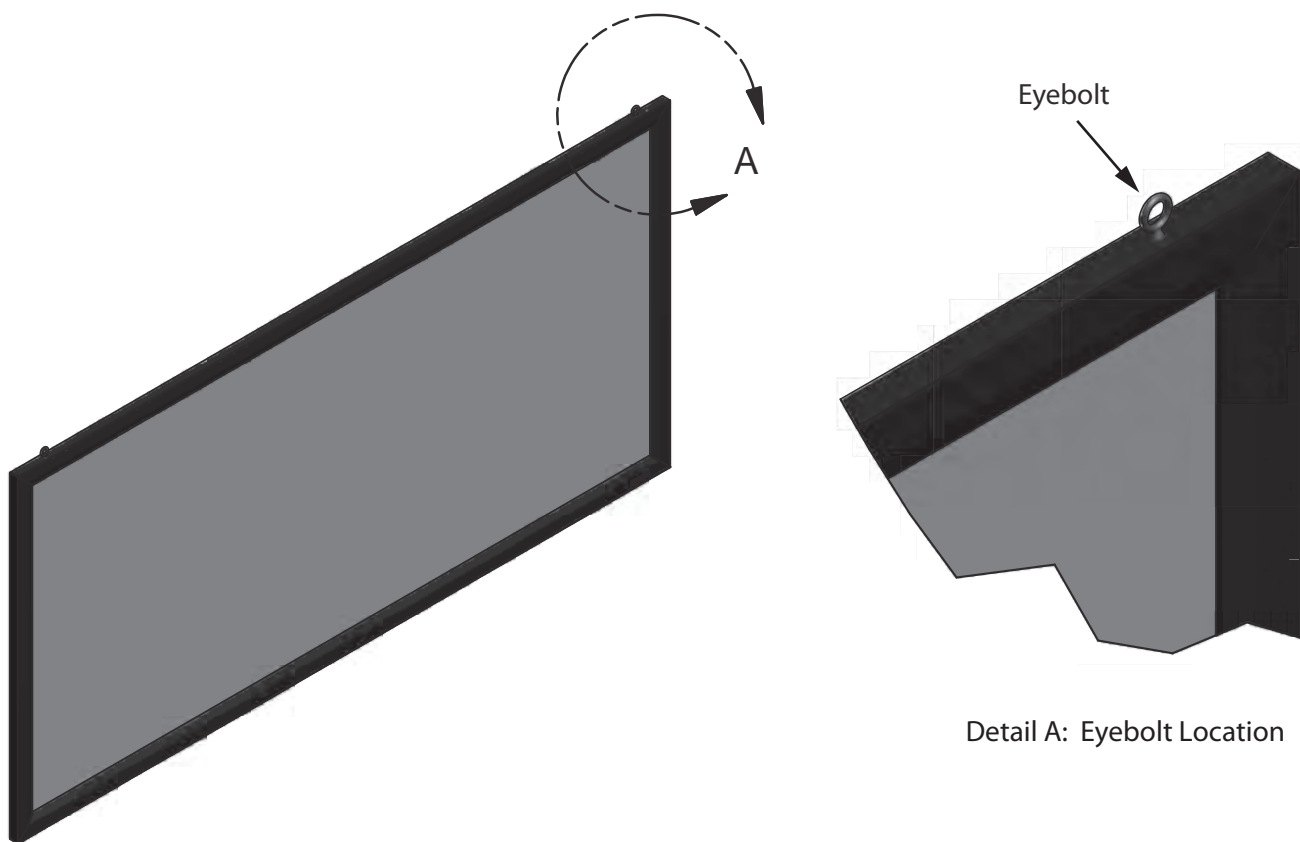


Figure 9: Eyebolts Mounted Securely to Frame

Note: Please note that on some custom sized frames the use of additional “back support braces” is required. These vertical support braces assure parallel top and bottom frame member alignment once the screen has been attached to the frame. Do not install the screen / frame without required back braces.

Caution:

- ◆ Be careful not to touch or scratch the viewing surface

T-STAND (SELF-SUPPORTING)

Professional mounting techniques should be used. Stewart Filmscreen can not be liable for substandard or faulty installations.

1. Assemble frame (see page 6).
2. Attach the screen to the frame (see pages 14-15).
3. Use the T-Stand knobs provided to first attach the vertical members to each base, then to attach the finished screen (frame/screen assembly) to the T-Stands. The through holes on each vertical member should run parallel to the base.
4. Hand-tighten the knobs.

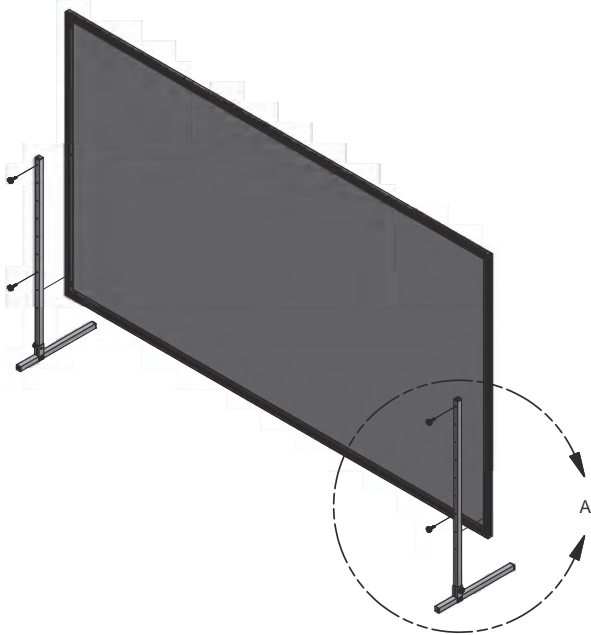
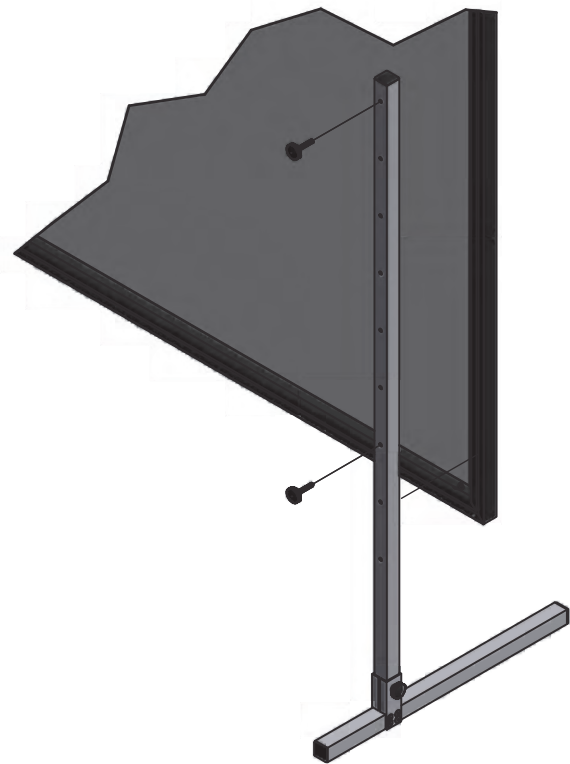


Figure 10: Attaching T-Stand Knobs



Detail A: Close-Up of T-Stand Base

Note: Please note that on some custom sized frames the use of additional “back support braces” is required. These vertical support braces assure parallel top and bottom frame member alignment once the screen has been attached to the frame. Do not install the screen / frame without required back braces.

Caution:

- ◆ Be careful not to touch or scratch the viewing surface

APERTURE MOUNT

Professional mounting techniques should be used. Stewart Filmscreen can not be liable for standard or faulty installations.

The aperture mount allows you to install the screen into an opening in a wall or wall unit.

1. Prepare the aperture.
2. Assemble the frame (see page 6).
3. Attach the screen to the frame (see pages 14-15).
4. Carefully insert the frame (with the screen already attached) into the aperture. Take care so that you do not damage the screen.
5. Install the frame/screen assembly in the aperture using the attached mounting brackets and appropriate fasteners (refer to Figure 11).

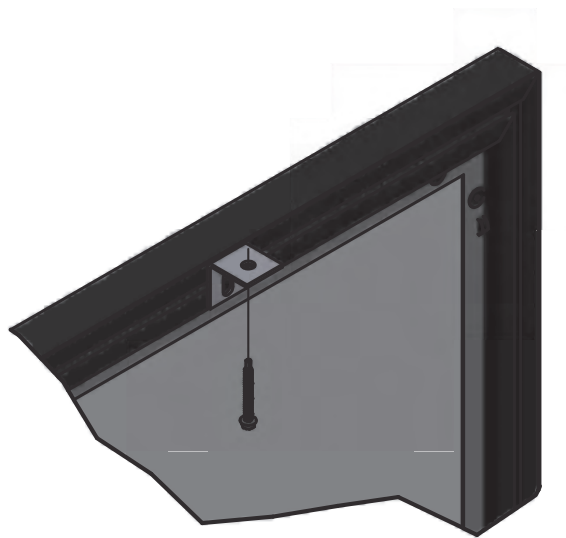


Figure 11: Installing Frame/Screen Assembly - Rear View, Close Up

Caution:

- ◆ **Be careful not to touch or scratch the viewing surface**

ATTACHING THE SCREEN TO THE FRAME

DO NOT perform this step UNTIL instructed to do so in the mounting section.

Caution

- ◆ **Be careful not to touch or scratch the viewing surface**
- ◆ **Do not use any tools to fasten the screen to the frame**
- ◆ **Do not fold or crease the screen**

Unpacking and Unrolling the Screen

The viewing side of the projection screen is rolled to the inside to protect the optical coating. The screen is rolled lengthwise.

1. Remove the screen from the cardboard shipping tube.
2. On a clean surface, unroll the screen viewing side up.
3. Remove the protective foam from the screen material.

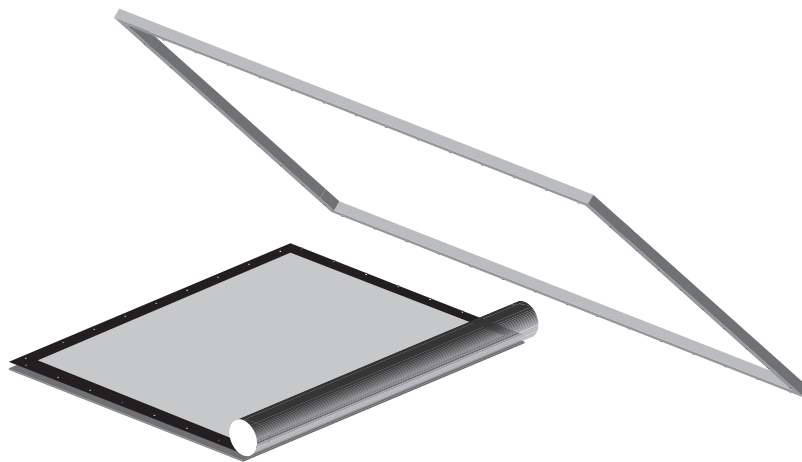


Figure 12: Unrolling the Screen

ATTACHING THE SCREEN TO THE FRAME

Attaching the Screen to the Frame

4. Place the frame over the screen (snap side down).
5. Starting with the snaps on the top corners and then horizontally along the top, while lifting the frame with one hand, snap the screen into the frame. Gently allow the screen to stretch onto the snaps. Do not jerk, wrinkle or crease the screen material, as it can be damaged. Refer to Figure 13.
6. Lift the frame to a vertical position to finish attaching the sides and bottom row of the snaps. Refer to Figure 14.

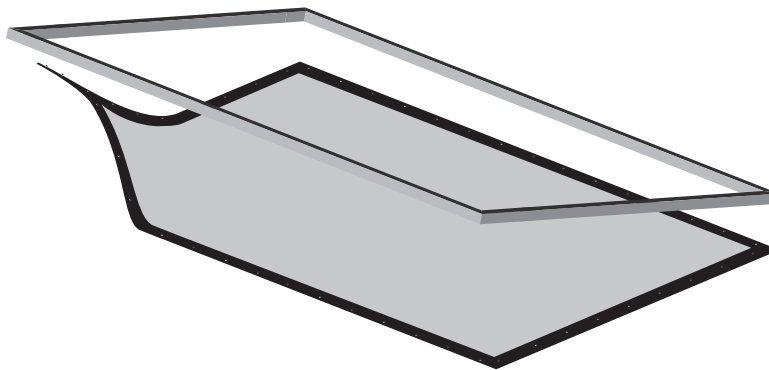


Figure 13: Attaching Top Corner Snaps

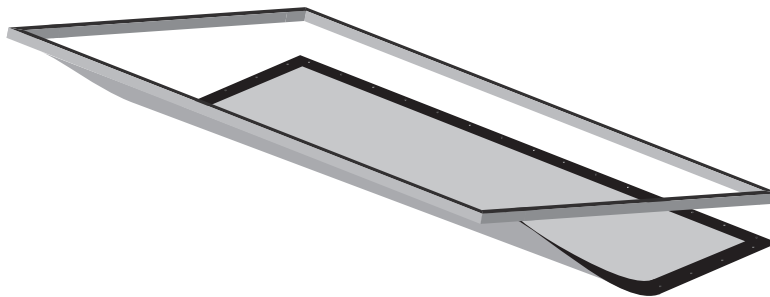


Figure 14: Attaching Remaining Snaps

Note:

If there are any wrinkles or puckers in the screen, the snaps on the frame can be adjusted side to side. Lay the frame viewing side down on a clean surface. A movement of 1/16" to 1/8" (1.6mm to 3.2mm) is usually sufficient to eliminate puckers.

CARING FOR AND CLEANING THE SCREEN

With reasonable care, you may expect many years of dependable use of your Stewart projection screen.

General Maintenance

The surface of your screen is delicate, so we encourage you to keep your screen clean. Special attention to these instructions should be followed when cleaning.

- ◆ Avoid getting any foreign objects on the screen, as cleaning may prove very difficult. It may not be possible to remove scratches, paint, ink, etc.
- ◆ A draftsman-style brush may be used to lightly whisk away any loose dirt or dust particles. (This type of brush is usually available at office supply stores.) Stewart Filmscreen has an optional screen cleaning kit that contains the proper type of brush. Contact your dealer if you would like to obtain this cleaning kit.
- ◆ For tougher spots, you can make a cleaning solution using a water-based detergent and warm water. To make the solution, mix one part Simple Green, 409, or other water based industrial cleaner with three parts warm water. Moisten a clean cotton cloth or Q-Tip with this solution, moisten the stained area, and gently lift off the stain. Never use an aggressive scrubbing action as you could damage the screen surface by removing the optical coating. Remoisten the area with clean water and dab dry with a clean sponge or cotton cloth. Any residual watermarks will evaporate on their own in a few minutes.
- ◆ Contact the factory if you have questions about removing difficult spots.

Caution

- ◆ Do not use any other cleaning materials on the screen.
- ◆ Do not use chemicals or solvents to clean the screen. Use only commercially available, water-based de-greaser.
- ◆ Do not use chemicals, solvents, or liquid cleaners to clean the VeLux covering.
- ◆ Do not fold or crease the screen.

VeLux™ Covering

- ◆ Use a lint roller to remove particles from the VeLux, which is the velvet material covering the frame.
- ◆ A brush may be used to comb (lift) the nap of the VeLux material to help eliminate depression marks.

Replacement Parts & Service

No user-serviceable parts are contained within the unit. Contact your dealer or the factory if you require part replacement or service.

LIMITED ONE YEAR WARRANTY

STEWART FILMSCREEN CORPORATION (Stewart) warrants its Stewart Filmscreen products to the original purchaser only, to be free from defects in materials and workmanship for a period of one (1) year from the date of purchase by the original purchaser or eighteen (18) months from date of manufacture, as defined in the serial number, provided they are properly operated and maintained according to Stewart instructions and are not damaged due to improper handling or treatment after shipment from the factory. This warranty does not apply to equipment showing evidence of misuse, abuse, or accidental damage, including neglect caused by improper installation (i.e. proximity to hot lights, exposure to extreme heat or cold, exposure to excessive humidity, etc.). Stewart on-site warranty repair services are not available for this product.

Stewart's sole obligation under this warranty shall be to repair or to replace (at Stewart's sole discretion) the defective part of the merchandise. This warranty expressly does not cover any costs of removal, installation, framing, or other costs incident to replacing the screen or returning it to Stewart. Returns for service should be made to your Stewart dealer. If it is necessary for the dealer to return the screen or part to Stewart, transportation (freight) expenses to and from Stewart are payable by the purchaser. Stewart is not responsible for damage in shipment. To protect yourself against damage or loss in transit, insure the product and prepay all transportation expenses.

This warranty is in lieu of all other warranties, expressed or implied, including warranties as to fitness for use and merchantability. Any implied warranties of fitness for use, or merchantability, that may be mandated by statute or rule of law are limited to the one (1) year warranty period. This warranty gives you specific legal rights, and you may also have other rights which vary from state-to-state. In no event will Stewart be liable for sums in excess of the purchase price of the product. No liability is assumed by Stewart for expenses or damages resulting from interruption in operation of equipment, or for incidental, direct, or consequential damages of any nature.

In the event that there is a defect in materials or workmanship of a Stewart Filmscreen product, you may contact our Customer Service Department at 1161 W Sepulveda Blvd, Torrance, California 90502- 2797 (310-784-5300) Toll free (800-762-4999).

IMPORTANT: This warranty shall not be valid and Stewart shall not be bound by this warranty if the product is not operated and maintained in accordance with Stewart's written instructions. Stewart Filmscreen Corporation shall not be liable for any and all consequential damage(s) occasioned by the breach of any written or implied warranty pertaining to the sale of a Stewart Filmscreen product in excess of the purchase price of the product sold.

Stewart[®]
F I L M S C R E E N

800.762.4999 • 310.784.5300 • Fax: 310.326.6870
www.stewartfilmscreen.com

May 2017
Printed in U.S.A.
©2017 Stewart Filmscreen Corporation