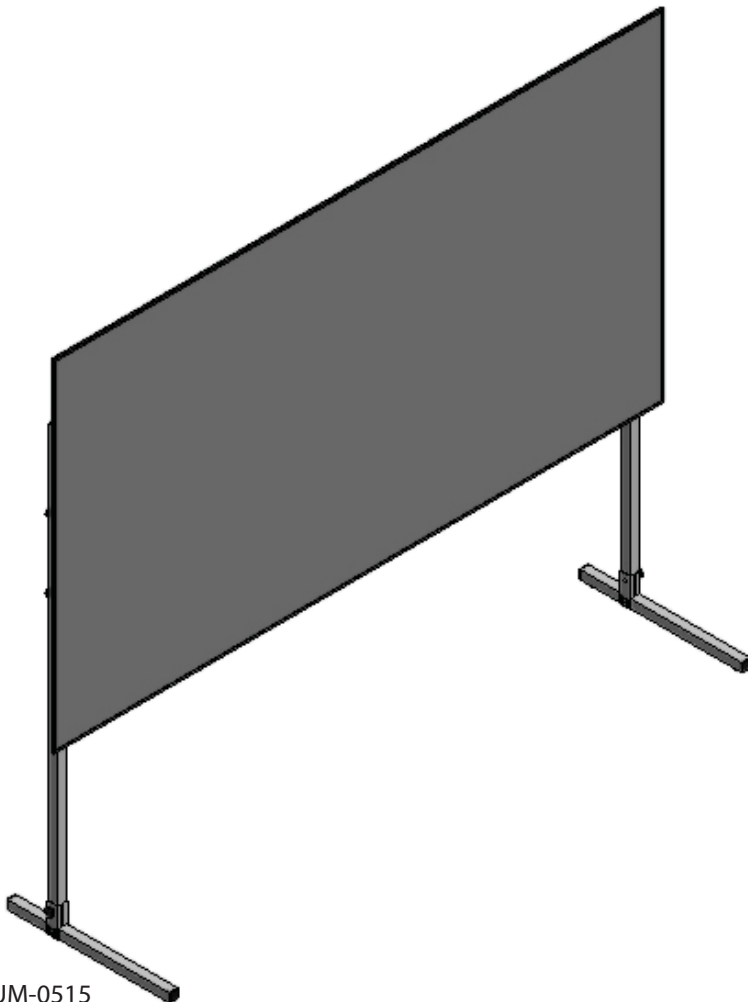


# LuminEsse™

## Owner's Manual



- Wall Mount (EZ Mount Bracket System)
- T-Stand Self-Supporting



LUM-0515

Printed in U.S.A.

©2015 Stewart Filmscreen Corporation

Stewart Filmscreen reserves the right to make changes to the product specified in this document.

From time to time, this document is updated. Current versions of documentation are posted on the Stewart Filmscreen website at:

[www.stewartfilmscreen.com](http://www.stewartfilmscreen.com)

Contents

To the Owner .....	2
General Notes for Preparing the Installation.....	3
Wall Mount Option (with EZ Mount Bracket System) .....	4
T-Stand Self-Supporting Option .....	8
Troubleshooting.....	9
Screen Care & Cleaning .....	10
Product Warranty.....	11

---

# TO THE OWNER

---

Congratulations on your purchase of one of the finest optical viewing screens available anywhere in the world!

Please take a moment to review this manual, it will help ensure you many years of reliable service from your new Stewart Filmscreen product.

## **About the LuminEsse**

LuminiEsse fits modern expectations for more viewing image and less visible framing, providing a sleek appearance, even when not being viewed. The LuminEsse front-projection wall screen features an optional LED backlighting kit that goes beyond wow factor to make viewing more comfortable. Scientifically speaking, the LED lighting acts as bias lighting, relaxing the iris of the eye and causing less strain during extended viewing. When the screen is on, the multicolored perimeter lighting enriches onscreen content and when off, it can be used to set the mood of the room.

Available in sizes up to 120-inches (diagonal) in HD formats and in sizes up to 150-inches (diagonal) in Cinemascope® configurations, the LuminEsse rigid front projection screen system utilizes Stewart's wall mount system, making screen installation inexpensive, simple and fast.

## **Using this manual for installation**

If you are using this manual to install the LuminEsse, be aware that it describes procedures for two types of mounting options. Refer to the appropriate section for either mounting option.

- ◆ Wall mount (EZ Mount Bracket System)
- ◆ T-Stand Self-Supporting

---

# GENERAL NOTES FOR PREPARING THE INSTALLATION

---

## Preparation

Specifications regarding the individual screen dimensions, weight, mounting type, and controls are provided by the factory when the unit is ordered. Before beginning the installation:

- ◆ Check the specifications for the type of frame and mounting to be used.
- ◆ Make sure there is a clean surface to work with.
- ◆ Check the size and weight of the screen to be installed so that you can plan for the number of people required for the mounting procedure. You need at least two people to mount the smaller screens; more are needed for larger, heavier screens.

## You will need:

- ◆ Lint-free, cloth gloves for handling the screen
- ◆ Ladders for the personnel supporting the screen during the mounting process, as needed
- ◆ A level
- ◆ Fasteners appropriate for the surface on which the screen is being mounted, as needed (refer to the mounting type section you are using)
- ◆ Drill for making holes to attach brackets to the mounting surface, as needed
- ◆ Tools for tightening fasteners

Note: Bolts and other fasteners for the screen are standard gauge and sizes used in the U.S., regardless of where they will be installed. For this reason, the sizes are expressed in inches rather than metric measurements.

## Unpacking

Be sure to unpack carefully in a clean area. Use special care when handling the screen so that it does not become soiled or damaged. Avoid fingerprints on projection surface.

If you plan to repack your screen and hardware for transportation to another location, you may wish to photograph or make a note of how it was packed. Keep the packing material.

# WALL MOUNT - EZ MOUNT BRACKET SYSTEM

## Required Tools:

- Power Drill
- Phillips Screw Driver bit
- 5/16th Socket Driver bit (5/16th Hex Driver bit optional)
- Measuring Tape
- Masking Tape
- 24" level
- Stud finder
- Safety glasses
- Gloves
- 5/32" Hex Wrench

## Wall Bracket Mounting

- 1) Locate and mark the wall for the desired location of the top of the image. Use a level to mark a horizontal line 5-3/8" below the mark located for the top of the image.
- 2) Mark a point on the horizontal line that corresponds to the desired location of the vertical center line of the screen
- 3) Locate studs with stud finder. Mark the stud locations along the horizontal line on the wall.
- 4) Line up the bottom edge of the EZ Mount hanging bar with the horizontal line on the wall.
- 5) Reposition the hanging bar to line up the mounting holes with the location of the studs

**NOTE: Hanging bar can be centered up to 18" to the left or 18" to the right of the center of the screen; as required to align with wall studs**

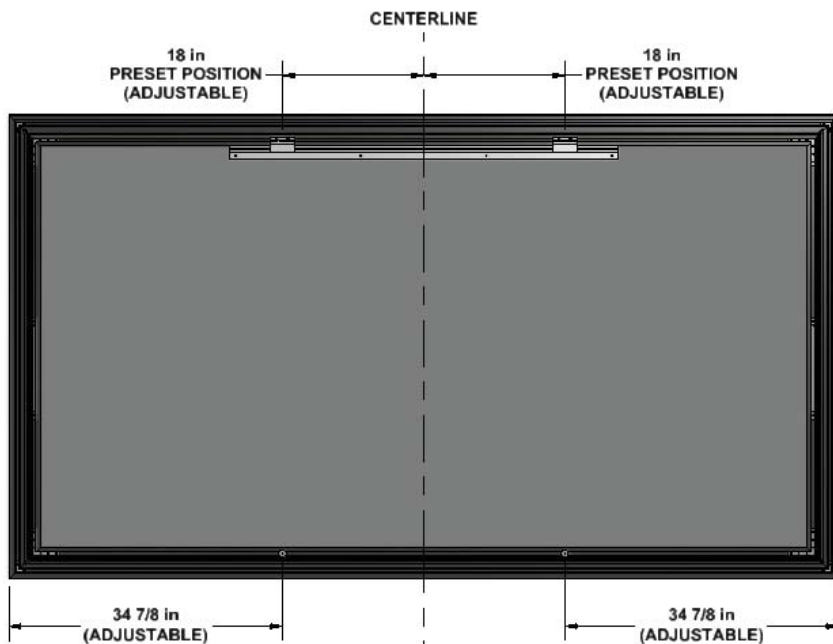


Figure 1: View of the Screen Backside with Hanging Bar

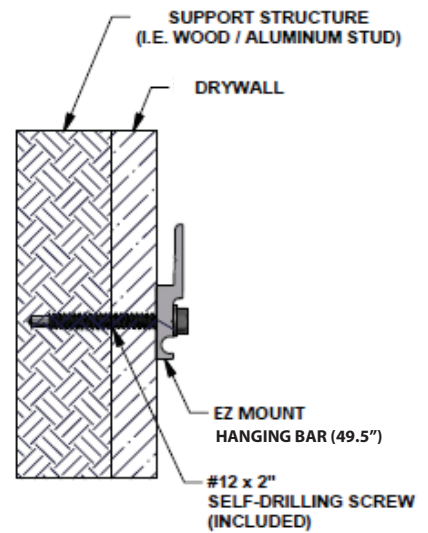


Figure 2: Wall Bar Mount

- 6) Mark and drill first hole for screw into stud

**NOTE: A minimum of (3) screws are recommended to safely secure the frame (see figure 2)**

- 7) Install the first screw into the bar
- 8) Re-check the leveling of the bar
- 9) Drill hole for second screw
- 10) Install the second screw into the bar
- 11) Repeat previous two steps for additional screws

---

# WALL MOUNT - EZ MOUNT BRACKET SYSTEM

---

## Screen Centering and Puck Mounting

- 12) Using a hex wrench, loosen the hex bolts securing the magnets on the lower frame member so that they are free to move from side to side
- 13) Position the frame assembly onto the EZ Mount hanging bracket
- 14) Verify the centering (or desired horizontal positioning) of the screen on the wall
- 15) Place pieces of masking tape on the wall corresponding to the outer vertical edges of the frame
- 16) Using a stud finder, locate the studs where they intersect with the bottom edge of the frame and position the magnets in the lower frame member to line up with the studs

**NOTE: Find studs that allow the pucks and magnets to be positioned approximately 12" to 24" from the end of the frame on each side.**

- 16a) Place a piece of masking tape directly on the wall below each magnet/stud location and mark the location of the centerline of the magnet on the tape. This will serve as a guide for mounting the steel pucks on the wall.
- 16b) Also place pieces of masking tape on the bottom of the frame corresponding to the stud locations to mark the location where the magnet will be secured to the frame
- 17) Remove frame assembly from wall
- 18) Make sure the magnets are still in line with the tape locations on the frame and tighten the hex bolt to secure the magnets to the frame
- 19) Position and center each puck directly above the centerline mark on the tape, and then mark and drill a hole for each puck and then attach each puck to the wall

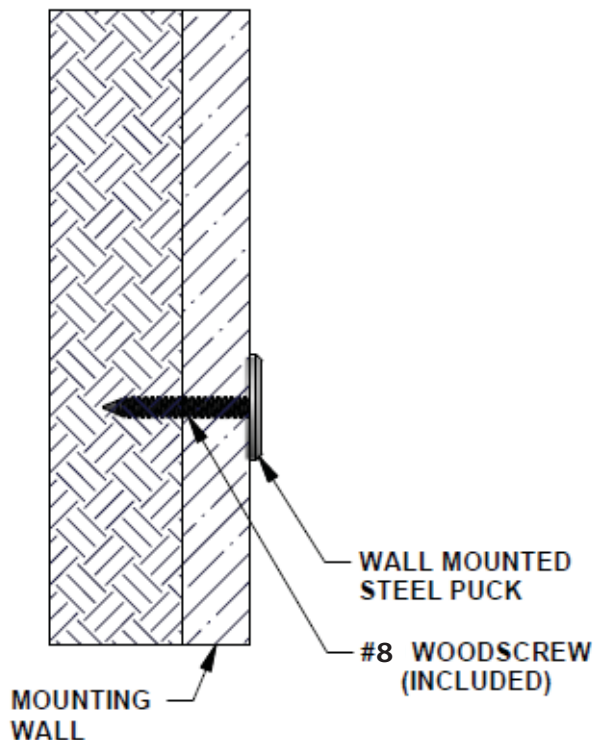


Figure 3: Wall Mounted Steel Puck Assembly

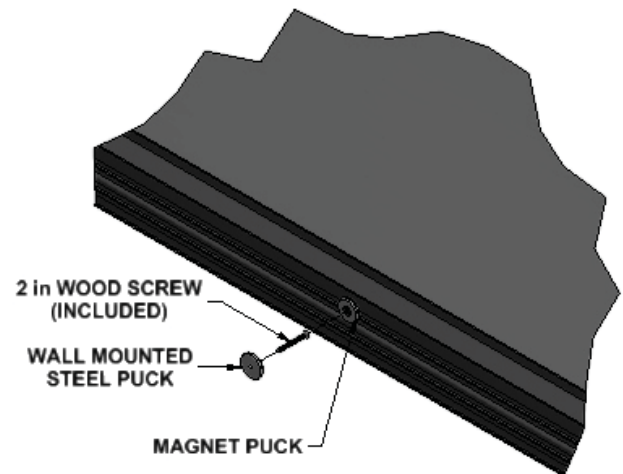


Figure 4: Magnetic Assembly Mount

# WALL MOUNT - EZ MOUNT BRACKET SYSTEM

20) Rehang the screen frame on the EZ Mount Hanging Bar

**NOTE:** Once the screen is positioned horizontally, the magnets will secure themselves to the pucks (Figures 8 & 9)

21) Check the horizontal positioning of the screen against the two pieces of tape and verify that the screen is mounted in the proper position

**NOTE:** If adjustment is necessary to the horizontal position of the screen on the wall, measure the distance the screen needs to be moved and remove the screen from the wall. Loosen the hex bolt and reposition the magnets the proper distance and in the proper direction and retighten the hex bolts. Then, rehang screen and repeat step 21.

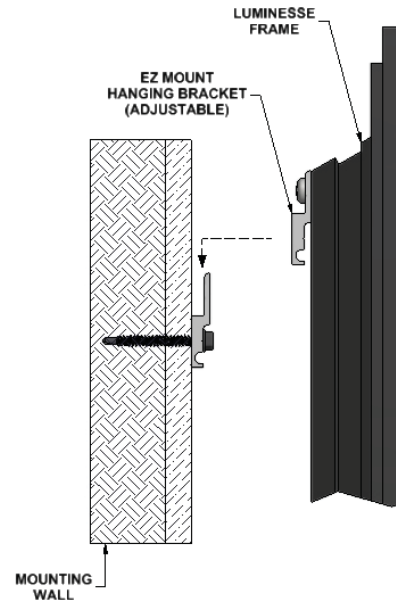
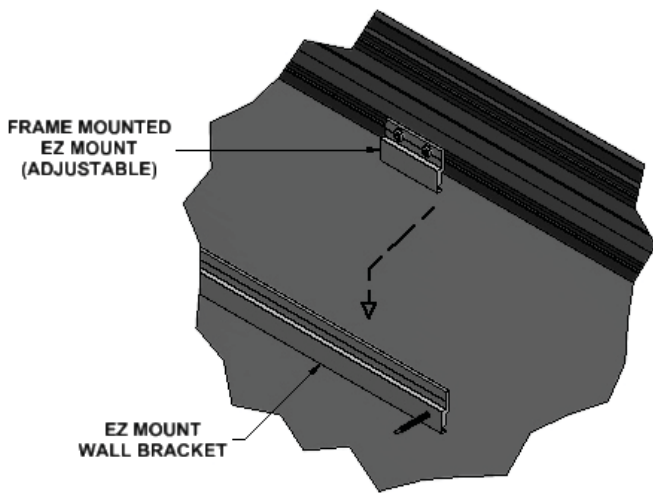


Figure 5: Wall Mounted and Frame Mounted EZ Mounts (ISO View)

Figure 6: Wall Mounted and Frame Mounted EZ Mounts (Profile View)

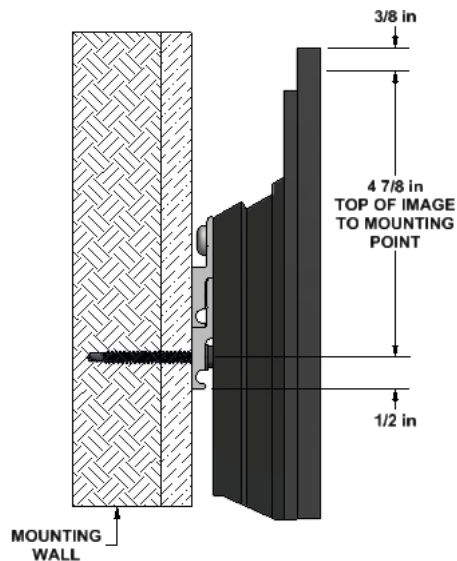


Figure 7: Wall Mounted and Frame Mounted EZ Mounts Fitted



---

# WALL MOUNT - EZ MOUNT BRACKET SYSTEM

---

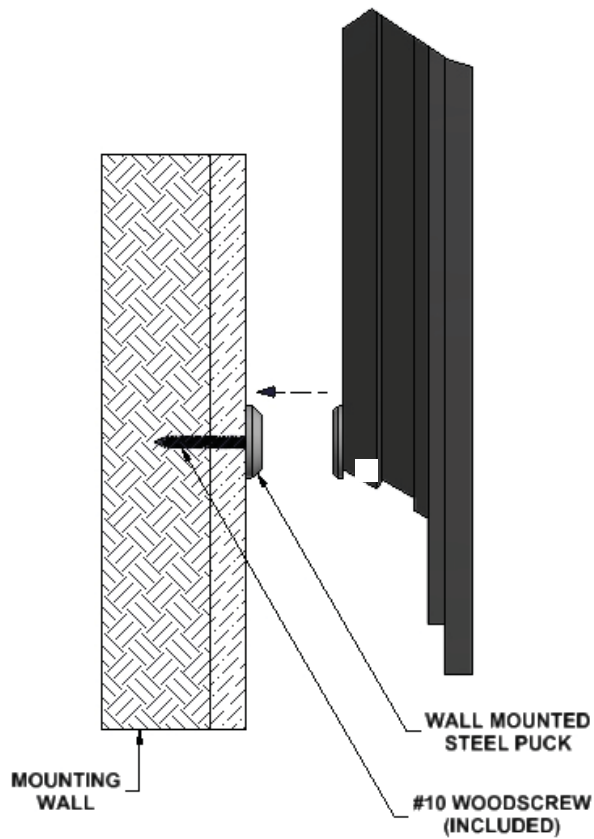


Figure 8: Magnetic Assembly Mounting

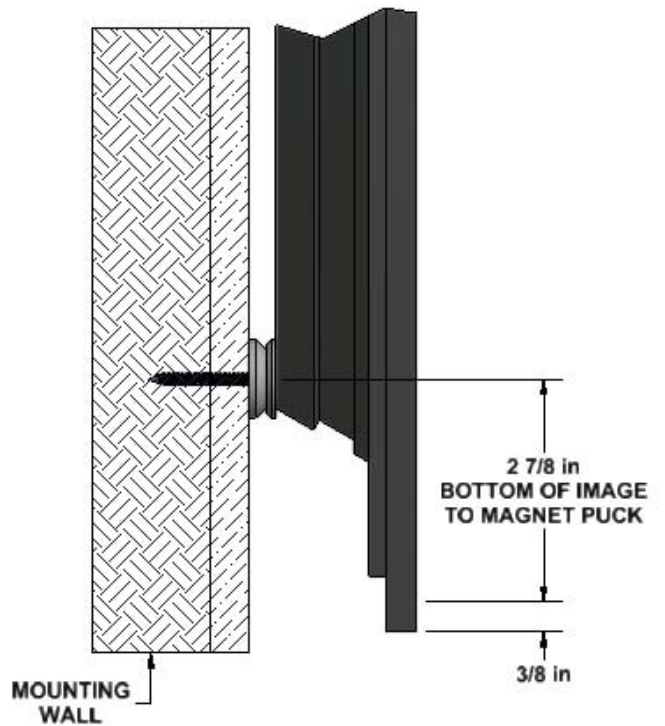


Figure 9: Magnetic Assembly Mounting

**Final Step (to be taken only after you have ensured proper bracket installation):**

- 22) Position frame assembly onto the wall, top of frame first, then lower bottom to gently grab the magnetic pucks

**Caution:**

- ◆ Be careful not to touch or scratch the viewing surface

---

# T-STAND SELF-SUPPORTING

---

## Attaching T-stands:

This section describes how to mount a LuminEsse on T-stands.

- 1) Use the T-stand knobs provided to first attach the vertical members to each base, and then to attach the finished screen to the T-stands. The through holes on each vertical member should run parallel to the base (refer to Figure 10)
- 2) Hand-tighten the knobs

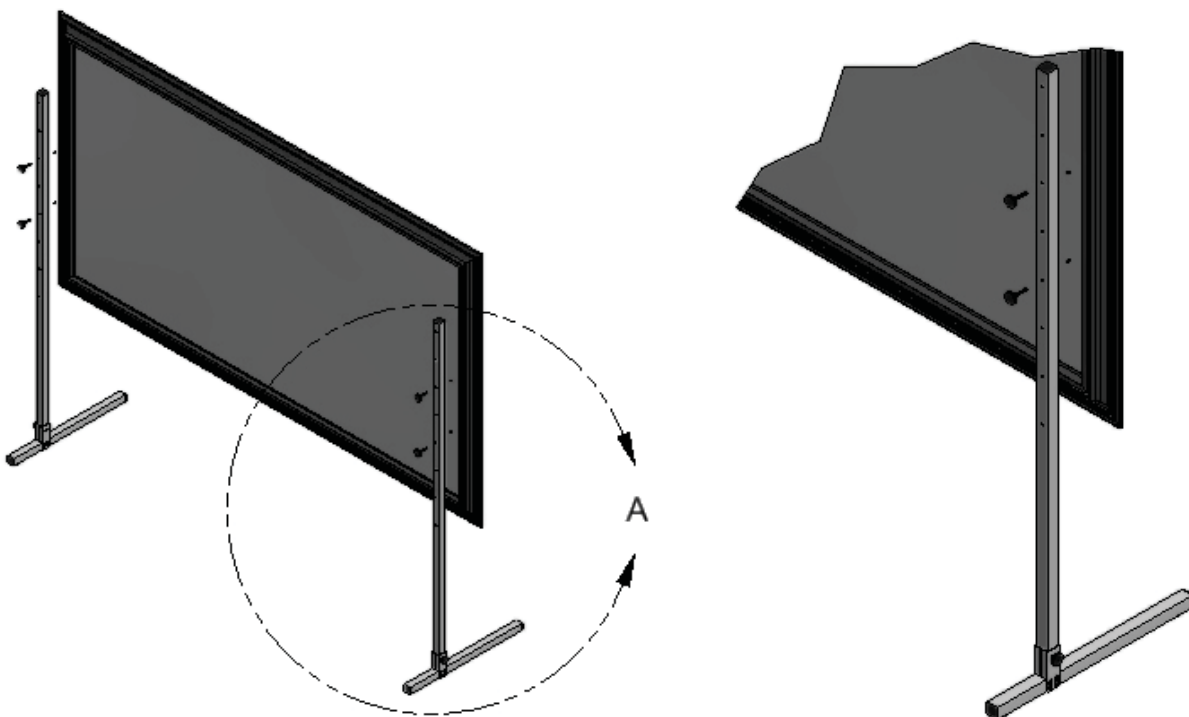


Figure 10: Attaching T-stand knobs, standard screen attachment

---

## TROUBLESHOOTING

---

Problem	Cause	Action Steps
Dirt, finger prints, marks, etc. on screen surface	Improper handling of screen	Brush off or use a mild detergent
LED Lights do not operate (LED Light Kit Optional)	Faulty connections	Check voltage supply and connections

---

# SCREEN CARE AND CLEANING

---

## General maintenance

The surface of your screen is delicate. Special attention to these instructions should be followed when cleaning.

- ◆ A draftsman-style brush may be used to lightly whisk away any loose dirt or dust particles. (This type of brush is usually available at office supply stores.) Stewart Filmscreen has an optional screen cleaning kit that contains the proper type of brush. Contact your dealer if you would like to obtain this cleaning kit.
- ◆ For tougher spots, use a solution of mild detergent and water. Rub lightly using a sponge. Blot with a damp sponge to absorb excess water. Residual water marks will evaporate within a few minutes.

Do not use any other cleaning materials on the screen. Contact the factory if you have questions about removing difficult spots.

## Replacement parts and service

No user-serviceable parts are contained within the unit. Contact your dealer or the factory if you require part replacement or service.

---

## LIMITED ONE (1) YEAR WARRANTY ON STEWART FILMSCREEN CORP PROJECTION SCREENS SYSTEM

---

STEWART FILMSCREEN CORPORATION (Stewart) warrants its screens to the original purchaser only, to be free from defects in materials and workmanship for a period of one (1) year from the date of purchase by the original purchaser or eighteen (18) months from date of manufacture, as defined in the serial number, provided they are properly operated and maintained according to Stewart instructions and are not damaged due to improper handling or treatment after shipment from the factory.

This warranty does not apply to equipment showing evidence of misuse, abuse, or accidental damage, including neglect caused by improper installation (i.e. proximity to hot lights, exposure to extreme heat or cold, exposure to excessive humidity, etc.) Stewart on-site warranty repair services are not available for this product.

Stewart's sole obligation under this warranty shall be to repair or to replace (at Stewart's sole discretion) the defective part of the merchandise. This warranty expressly does not cover any costs of removal, installation, framing, or other costs incident to replacing the screen or returning it to Stewart. Returns for service should be made to your Stewart dealer. If it is necessary for the dealer to return the screen or part to Stewart, transportation (freight) expenses to and from Stewart are payable by the purchaser. Stewart is not responsible for damage in shipment. To protect yourself against damage or loss in transit, insure the product and prepay all transportation expenses.

This warranty is in lieu of all other warranties, expressed or implied, including warranties as to fitness for use and merchantability. Any implied warranties of fitness for use, or merchantability, that may be mandated by statute or rule of law are limited to the one (1) year warranty period. This warranty gives you specific legal rights, and you may also have other rights which vary from state-to-state. In no event will Stewart be liable for sums in excess of the purchase price of the product. No liability is assumed by Stewart for expenses or damages resulting from interruption in operation of equipment, or for incidental, direct, or consequential damages of any nature.

In the event that there is a defect in materials or workmanship of a Stewart screen, you may contact our Customer Service Department at 1161 W Sepulveda Blvd, Torrance, California 90502-2797 (310-784-5300) Toll free (800-762-4999).

**IMPORTANT:** This warranty shall not be valid and Stewart shall not be bound by this warranty if the product is not operated and maintained in accordance with Stewart's written instructions.

Stewart Filmscreen Corporation shall not be liable for any and all consequential damage(s) occasioned by the breach of any written or implied warranty pertaining to the sale in excess of the purchase price of the product sold.

Printed in USA. Rev. 4/2/2015



**Stewart**<sup>®</sup>  
F I L M S C R E E N

800.762.4999 • 310.784.5300 • Fax: 310.326.6870  
[www.stewartfilmscreen.com](http://www.stewartfilmscreen.com)

May 2015  
Printed in U.S.A.  
©2015 Stewart Filmscreen Corporation