




Cima[®] NT AC ElectriScreen

by Stewart Filmscreen

In Ceiling Non-Tensioned ElectriScreen engineered for the perfect balance of performance and affordability.



-  home cinema
-  education
-  digital signage
-  corporate
-  worship
-  simulation and visualization
-  broadcast
-  rental and staging
-  command and control

Key Benefits:

1 In ceiling design provides a clean, nearly hidden installation.

2 Preset sizes and aspect ratios make for easy specifying and ordering.

3 Adjustable Black Drop standard on all sizes.



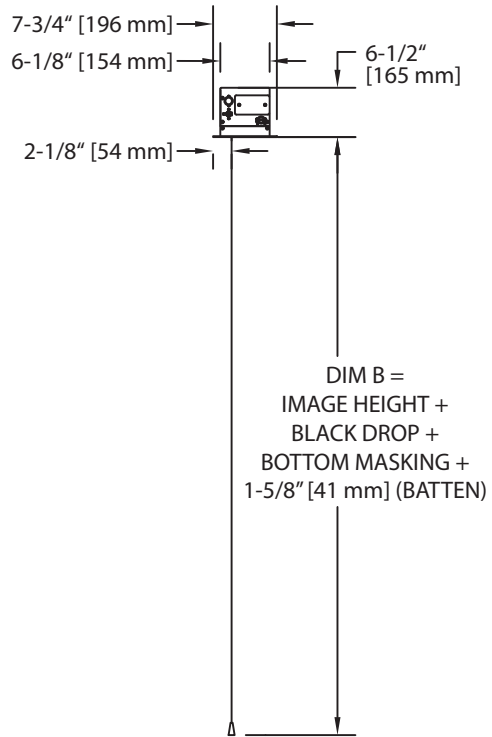
Cima[®] NT AC ElectriScreen

by Stewart Filmscreen

Designed and manufactured in the USA by Stewart Filmscreen, the Cima NT AC ElectriScreen offers high quality, affordable solutions suitable for a wide range of commercial applications. With a host of pre-configured sizes and aspect ratios, the Cima NT AC screens are easily specified in sizes from 92" to 164" diagonal image size.

The quiet electric motors and finely machined roller tubes ensure years of dependable operation keeping total cost of ownership to a minimum. The high grade, extruded aluminum case supports the screen system and protects it from dust, dirt and other environmental factors that can shorten the life of a projection screen system.

The black masking frames the image area for enhanced perceived contrast ensuring reduced viewer fatigue and higher levels of productivity. Top masking is preset at 2" but is adjustable on site to best suit the location. The standard low voltage control system includes a screen trigger interface providing greater flexibility than competing systems. Screen deployment can be automated to synchronize with the activation of the projector.



16:9 STANDARD IMAGE SIZES

PART #	IMAGE DIAG.	IMAGE HEIGHT	IMAGE WIDTH	ADJ. BLACK DROP	CASE WIDTH	ROUGH OPENING
00950-4092H	92"	45"	80"	50"	95-1/2"	94-3/4"
00950-4106H	106"	52"	92"	43"	107-1/2"	106-3/4"
00950-4110H	110"	54"	96"	41"	111-1/2"	110-3/4"
00950-4119H	119"	58"	104"	37"	119-1/2"	118-3/4"
00950-4133H	133"	65"	116"	30"	131-1/2"	130-3/4"
00950-4159H	159"	78"	139"	17"	154-1/2"	153-3/4"

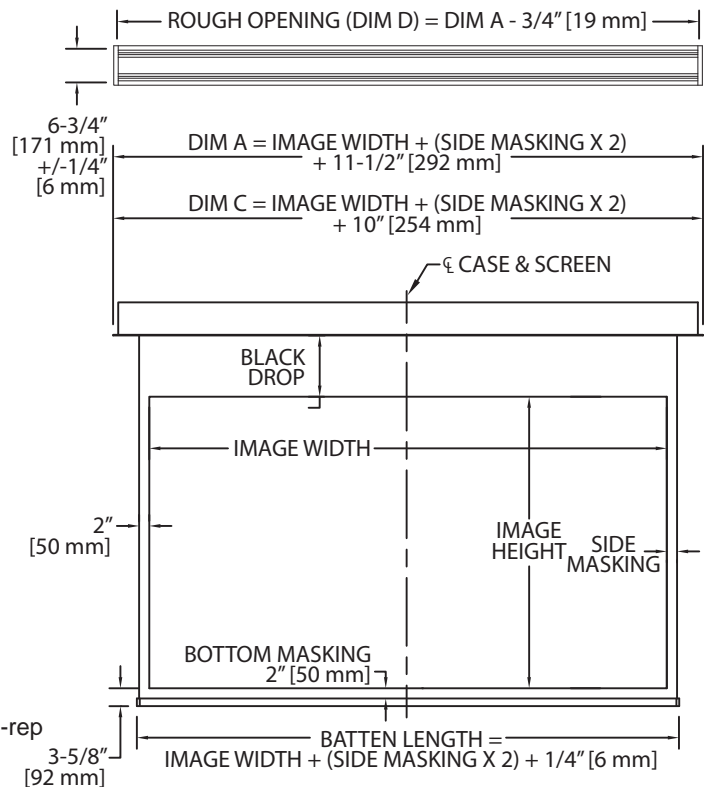
*Includes 120V control system.

16:10 STANDARD IMAGE SIZES

PART #	IMAGE DIAG.	IMAGE HEIGHT	IMAGE WIDTH	ADJ. BLACK DROP	CASE WIDTH	ROUGH OPENING
00950-4094D	94"	50"	80"	45"	95-1/2"	94-3/4"
00950-4109D	109"	57-1/2"	92"	37-1/2"	107-1/2"	106-3/4"
00950-4113D	113"	60"	96"	35"	111-1/2"	110-3/4"
00950-4123D	123"	65"	104"	30"	119-1/2"	118-3/4"
00950-4130D	130"	69"	110"	26"	125-1/2"	124-3/4"
00950-4137D	137"	72-1/2"	116"	22-1/2"	131-1/2"	130-3/4"
00950-4164D	164"	87"	139"	8"	154-1/2"	153-3/4"

*Includes 120V control system.

Find your local representative at www.stewartfilmscreen.com/locate-a-rep



- DIM A (OVERALL LENGTH)
- DIM B (SCREEN OUT OF CASE)
- DIM C (CASE LENGTH)
- DIM D (ROUGH OPENING LENGTH)

